



## VENMAR AVS NOVOFIT 1.5

Part no. 43121

70 to 163 CFM (0.3 in. w.g.)

64 to 150 CFM (0.4 in. w.g.)



### NOVOFIT SERIES: ALL THE HRV FEATURES REQUIRED BY NOVOCLIMAT™\*

The contractor's priority is to offer affordable improved indoor air quality to the customer. The Venmar AVS Novofit Series is the answer to the new Novoclimat™ residential construction requirements. Those Heat Recovery Ventilators offer all the basic features for the new construction market, such as a small-sized housing, integrated balancing damper and a no negative pressure defrost that ensures quick installation and trouble-free operation. Best price for builders and contractors requiring simple, affordable and reliable products.

\*Novoclimat is a program of the Agence de l'efficacité énergétique du Québec.

- **Microprocessors:** A proven technology known for its reliability which allows the elimination of numerous electromechanical parts that are most likely to break down
- **Warranty:** 2 years on all unit parts and a lifetime warranty on the heat recovery core
- **ENERGY STAR® qualified**

Quiet ventilation is a priority for homeowners and builders. The Venmar AVS Novofit Series provides the quietest operation.

- **The SilentSure™ operation system,** a unique design which allows the motor located at the exhaust port, to blow air into the house through an integrated silencer in the unit
- **The motor attachment** located in the center of the unit prevents any vibration

Available at:

# HEAT RECOVERY VENTILATOR

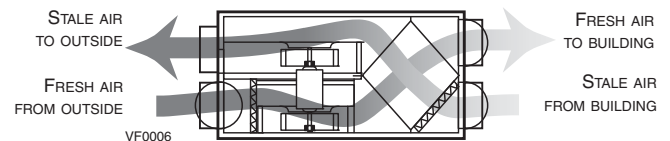
## Controls

- The following main controls are available:
  - Altitude programmable digital control with Smart mode no. 40440
  - Deco-Touch digital control no. 40395
- Also, 1 to 5 of the following optional controls can be added:
  - 20/40/60-min. Push-Button Timer no. 03364
  - 60-min. Mechanical Timer no. 00910

## Option

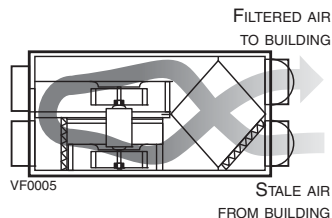
- Complete line of registers and diffusers

## Airflow During Air Exchange



## Homeshield™ Defrosting System

The AVS NOVOFIT uses a unique defrosting method. No negative pressure is created by air exhausted to the outside, as the air is recirculated into the house, helping to prevent any backdraft.



OUTSIDE TEMPERATURE		DEFROST CYCLE DEFROSTING MIN./ OPERATING MIN.
°C	°F	
WARMER THAN -5	WARMER THAN 23	NO DEFROST
-5 TO -27	23 TO -17	6/32
-27 & LESS	-17 & LESS	6/20

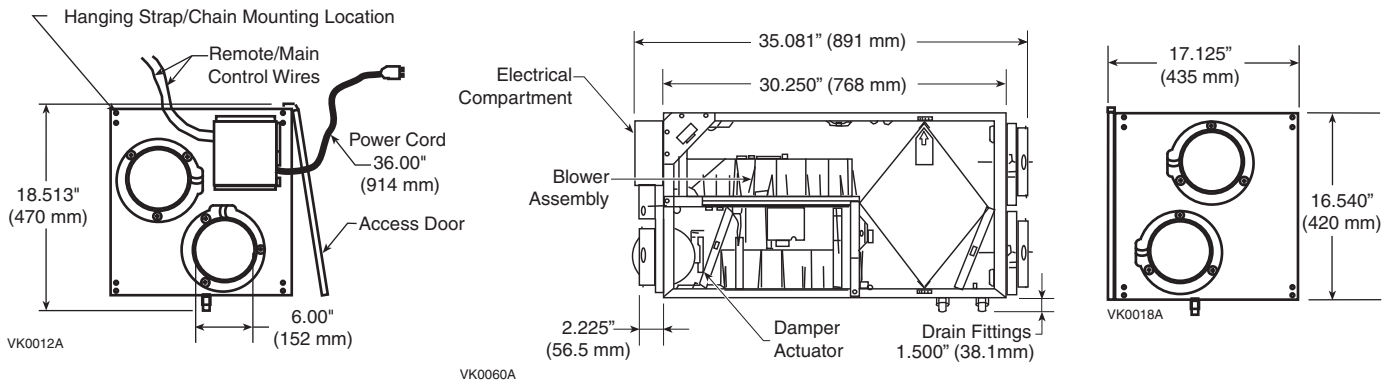
## Heat Recovery Core

Dimensions: 12" x 14" x 15½" (30.5 cm x 35.5 cm x 39.4 cm)  
 Exchange surface: 102 ft² (9.54 m²)  
 Weight: 6.2 lb (2.8 kg)  
 Material: Polypropylene  
 Type: Crossflow core  
 Warranty: Limited lifetime

## Requirements and Standards

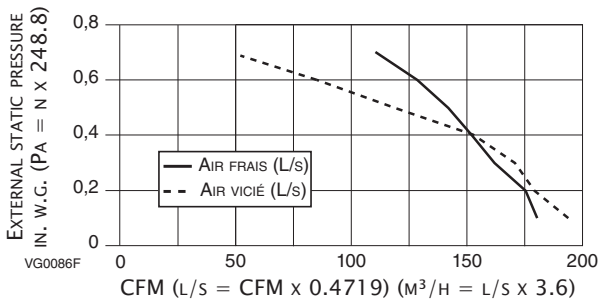
- Complies with the UL 1812 requirements regulating the installation of Heat Recovery Ventilators
- Complies with the CSA C22.2 no. 113 Standard applicable to ventilators
- Complies with CSA F326 requirements regulating the installation of Heat Recovery Ventilators
- HVI certified and ENERGY STAR® qualified
- Technical data was obtained from published results of tests relating to CSA C439 Standards

# Dimensions: Venmar AVS NOVOFIT 1.5



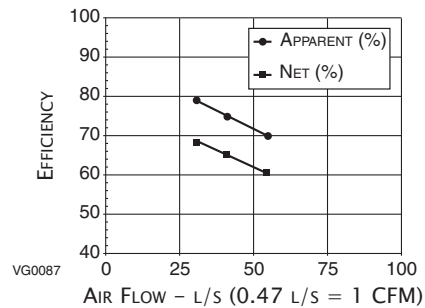
## Ventilation Performance

EXT. STATIC PRESSURE	NET SUPPLY AIR FLOW			GROSS AIR FLOW						
	PA	IN. W.G.	L/S	SUPPLY			EXHAUST			
			CFM	M <sup>3</sup> /H	L/S	CFM	M <sup>3</sup> /H	L/S	CFM	M <sup>3</sup> /H
25	0.1	85	180	306	86	182	310	92	194	331
50	0.2	82	174	295	82	175	295	86	182	310
75	0.3	77	163	277	77	164	277	81	171	292
100	0.4	71	150	256	71	151	256	71	151	256
125	0.5	67	141	241	67	142	241	57	120	205
150	0.6	60	128	216	61	130	220	40	85	144
175	0.7	51	108	184	52	110	187	27	57	97



## Energy Performance

SUPPLY TEMPERATURE	NET AIR FLOW			POWER CONSUMED WATTS	SENSIBLE RECOVERY EFFICIENCY	APPARENT SENSIBLE EFFECTIVENESS	LATENT/RECOVERY MOISTURE TRANSFER
	°C	°F	L/S				
<b>HEATING</b>							
0	32	31	66	111	62	67	79
0	32	40	86	144	75	64	75
0	32	57	120	205	90	61	70
-25	-13	38	81	137	83	60	76
<b>COOLING</b>							
35	95	-	-	-	TOTAL RECOVERY EFFICIENCY		
35	95	-	-	-	NOT TESTED		
35	95	-	-	-	-		



NOTE: All specifications are subject to change without notice.

## Specifications and Ratings

- Model: AVS NOVOFIT 1.5
- Part number: 43120
- Total assembled weight including polypropylene core: 65 lb (29.5 Kg)
- Supply and Exhaust air duct connections: 6" (15.24 cm) diameter
- Drains: 1/2" (1.2 cm) fittings with 10 ft (3 m) PVC drain
- Filters: 15 ppi washable reticulated foam 15.375" x 7.125" x 0.75" (39 cm x 18 cm x 1.9 cm)
- Housing: Pre-painted steel
- Insulation: 1" (2.54 cm) aluminum foil faced fiberglass, 0.825" (2.10 cm) expanded polystyrene
- Mounting: Suspension by chains and springs
- Supply and Exhaust blower motor: 1 motor
  - Protection type: Thermally protected
  - Insulation class: B
- Fan speed control:
  - Low or increased low & high speed
  - Two speeds available for the user
  - Low or increased low speed is selected at the time of installation
- Heat recovery core:
  - Heat exchange surface area: 102 ft<sup>2</sup> (9.54 m<sup>2</sup>)
  - Type/material: Crossflow/polypropylene
- Unit electrical characteristics:
 

Volts	Freq.	Amperes	Watts	IP
120	60 Hz	1.3	150	-

PROJECT:	REMARKS
LOCATION:	
MODEL NO.:	
QTY.:	
SUBMITTED BY:	DATE:



Residential Product Group, 550 Lemire Blvd., Drummondville, QC, Canada J2C 7W9 - Tel.: 1-800-567-3855 Fax: 1-800-567-1715



www.venmar.ca

12/03

PRODUCT SHEET NO. 91197