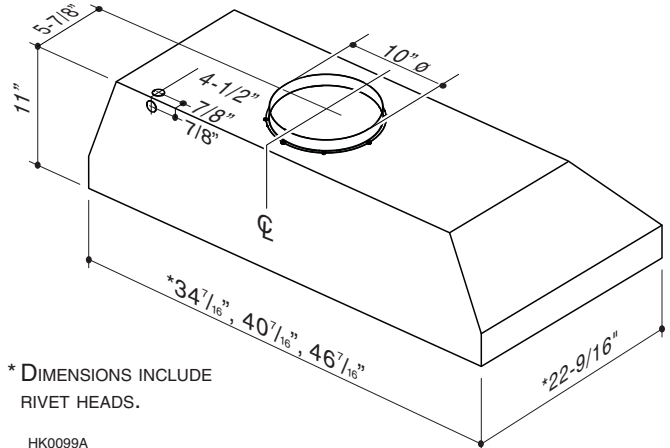


SPECIFICATIONS

MODEL	CPM2 (36" AND 42")	CPM2 (48")
BLOWER	DUAL	DUAL
VOLTS	120 VAC	120 VAC
Hz	60	60
AMPS	9.0	9.0
CFM (LOW SPEED)	370	410
CFM (HIGH SPEED)	1000	1080
SONES (LOW SPEED)	1.5	1.5
SONES (HIGH SPEED)	12.0	10.5
DUCTING SIZE	10" ROUND	10" ROUND
2 SHIELDED HALOGEN BULBS	120 V, 50 W MAX., GU10 BASE	120 V, 50 W MAX., GU10 BASE
WARRANTY	5 YEARS	5 YEARS

DIMENSIONS



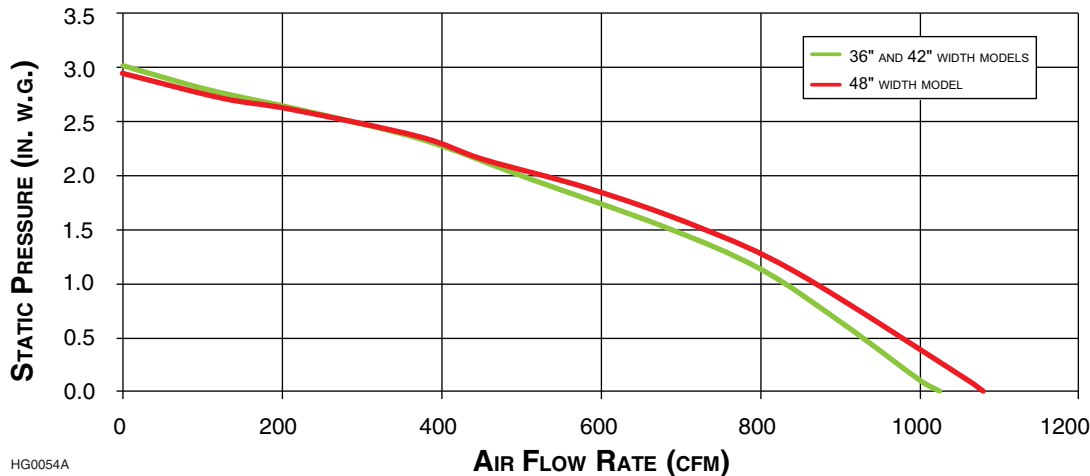
* DIMENSIONS INCLUDE RIVET HEADS.

HK0099A

REQUIREMENTS & STANDARDS

- Complies with the CSA C22.2 no. 113 Standard
- Complies with the UL 507 requirements
- HVI certified

AIR FLOW PERFORMANCE



HG0054A



HVI-2100 CERTIFIED RATINGS comply with new testing technologies and procedures prescribed by the Home Ventilating Institute, for off-the-shelf products, as they are available to consumers. Product performance is rated at 0.1 in. (2.54 mm) static pressure, based on tests conducted in a state-of-the-art test laboratory. Sones are a measure of humanly-perceived loudness, based on laboratory measurements.



www.venmar.ca

Venmar Ventilation Inc., 550 Lemire Blvd., Drummondville, Québec, Canada J2C 7W9 - Tel.: 1-800-567-3855 Fax: 1-800-567-1715

PROJECT	REMARKS
LOCATION	
MODEL No.	
QTY.	
SUBMITTED BY	
DATE	