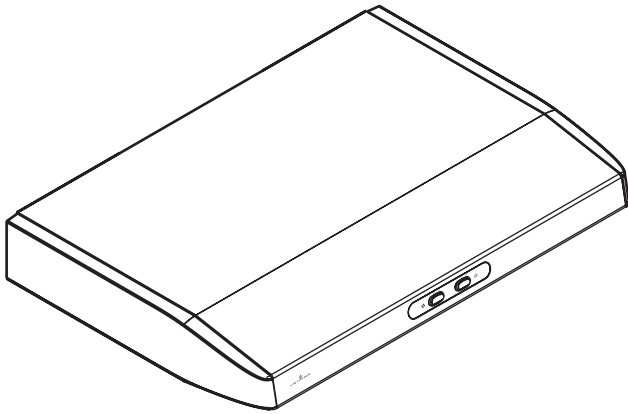




VENMAR ROV15 SERIES RANGE HOOD

Part numbers: ROV1530WH, ROV1530BL and ROV1530SS
280 CFM

0.9 sone at 100 CFM



HB0050

The brand new Venmar ROV15 Series range hoods are among the slimmest, most elegant hoods on the market. They blend in perfectly with any kitchen decor.

- Mechanical control
- 2 ventilation speeds
- 2 intensities halogen lighting
- Full size micromesh filters

WARRANTY

Venmar Ventilation inc. warrants to the original consumer purchaser of its products that such products will be free from defects in material or workmanship for a period of five (5) years from the date of original purchase. This warranty includes in-home service for the first 90 days and workshop service for the remaining warranty time.

AVAILABLE AT:

RANGE HOODS

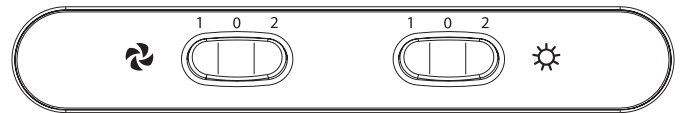
BLOWER

- Our motor is enveloped in acoustic insulation. This means that the noise level of the ROV15 Series range hood is less than 1 sone at normal speed. This range hood is among the quietest in its category.

FILTERS

- Dishwasher-safe, full size micromesh filters - provide a better grease catching capacity and a stylish finish under the hood.

CONTROL



HC0020

Easy-to-use rocker switch control.

- Two ventilation speeds: quiet operation (1) or high performance (2).
- Bright cooktop lighting provided by 2 halogen lamps (not included), nightlight intensity (1) or full lighting (2).

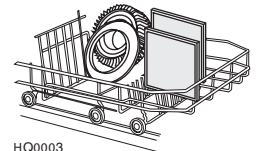
OPTIONS

- Available in 30" width.
- Offered in three popular appliance colors: White, Black and Stainless Steel.
- Charcoal filter units available, fit neatly above range hoods.
 - MOD30W for white 30" range hood.
 - MOD30B for black 30" range hood.
 - MOD30S for stainless steel 30" range hood.

MAINTENANCE

- The blower wheel and the inlet ring can easily be removed without tool.

- The blower wheel, the inlet ring and the micromesh filters are dishwasher-safe.

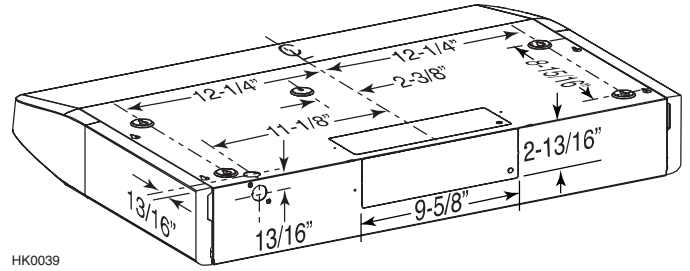
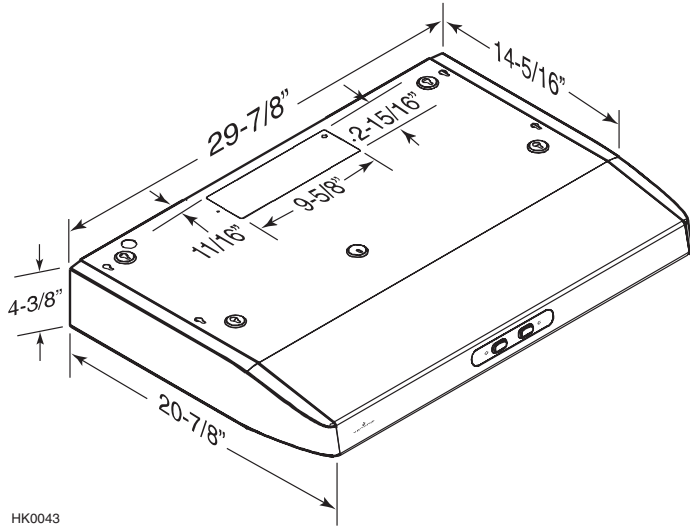


HQ0003

REQUIREMENTS AND STANDARDS

- Complies with the CSA C22.2 no. 113 Standard.
- Complies with UL 507 requirements.

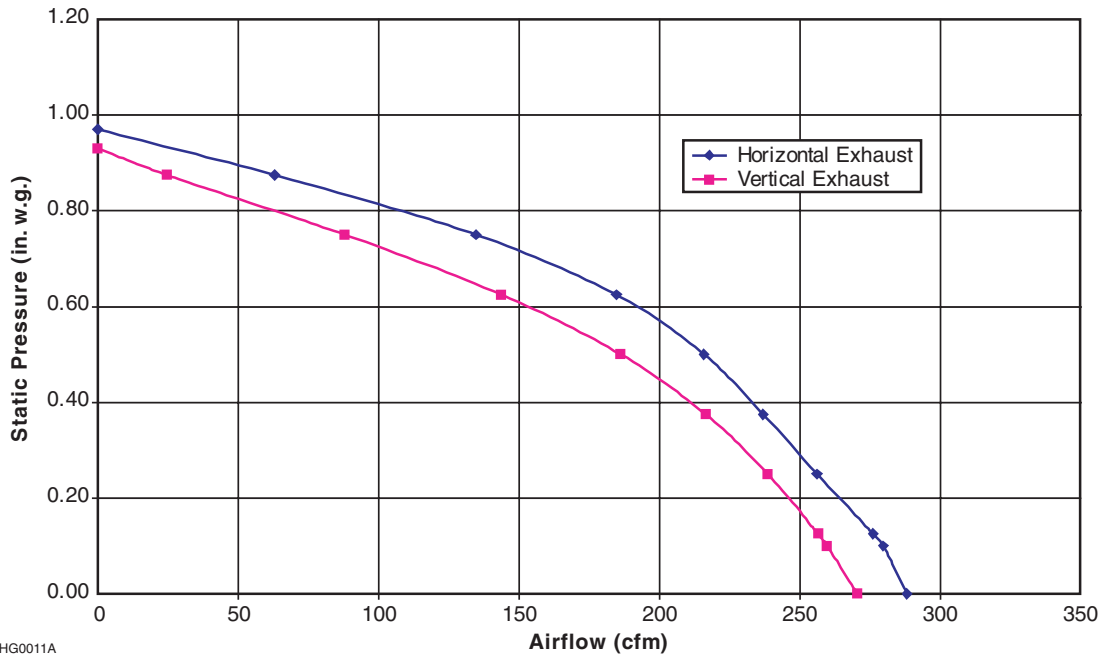
DIMENSIONS AND SERVICE CLEARANCE OF VENMAR ROV15 SERIES RANGE HOOD



HK0039

HK0043

VENTILATION PERFORMANCES



HG0011A

SPECIFICATION AND RATINGS

- Model: ROV15
- Part Numbers: ROV1530WH, ROV1530BL and ROV1530SS
- Ducting: 3 1/4" x 10" or 6" round (transition 3 1/4" x 10" to 6" round not included)
- Vertical exhausting: 260 cfm
- Horizontal exhausting: 280 cfm
- Filters: Micromesh
- 0.9 sone at 100 cfm
- 5.5 sones at 280 cfm
- Power requirements: 120 V AC/60 Hz
- Total hood power consumption: 196 W
- Maximum amperage: 1.6 A
- Cabinet: 24 ga. pre-painted steel or stainless steel
- Lighting: 2 halogen bulbs (50W, GU 10, MR16 or PAR16, shielded, not included)
- Motor: Permanent Split Capacitor

Submitted by:		Date:	Project:
Quantity:	Model number:	Remarks:	Location:
			Architect:
			Engineer:
			Contractor:

