



Venmar AVS X30HRV ECM

Part no. X30HRVE

50 to 252 CFM (0.4 in. w.g.)



VB0232

THE FUTURE OF FRESH AIR

Venmar AVS introduces its X Series which surpasses industry standards by bringing together the best performance and the best energy efficiency. Its high airflow, high heat recovery, low power consumption and superior filtration make it one of the most efficient and sophisticated platforms.

The X30HRV ECM is the perfect solution for mid to large size homes in need for the most energy-efficient ventilation solution. It is also possible to use it in some light commercial applications due to its high fresh air supply.

- Up to 252 CFM at 0.4 in. w.g.
- High efficiency heat recovery core with a sensible recovery efficiency of 75% at 0°C (32°F) and 66% at -25°C (-13°F)
- ECM* motors
- Minimal power consumption of 18W and 3.6 CFM/Watt at 64 CFM
- Merv 6 grade filters and optional HEPA filtration
- Electronic balancing and no balancing dampers
- Included wall mounting bracket

*Electronically Commutated Motor.

REPAIRS AND MAINTENANCE

The X30HRV ECM high output ECM motors are permanently lubricated. The electronic circuit board eliminates electromechanical parts, reducing repair time to a minimum.

WARRANTY

The X30HRV ECM is protected by a 5-year warranty on parts only, except for the heat recovery core, which is covered by a limited lifetime warranty, with the original proof of purchase.

Available at:



**These products earned the ENERGY STAR® by meeting strict energy efficiency guidelines set by Natural Resources Canada and the US EPA. They meet ENERGY STAR requirements only when used in Canada.

HEAT RECOVERY VENTILATOR

Controls

The exclusive X-Touch wall control is the only compatible wall control with the X Series. At installation, the inside control panel features electronic balancing and no balancing dampers. The balancing is performed with the help of the X-Touch wall control.

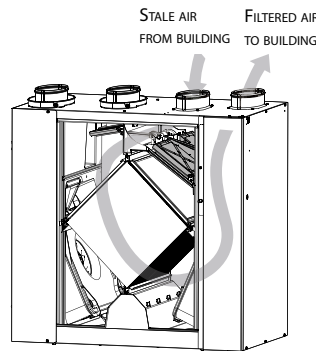
For more details about the control, refer to the User Guide - Main and auxiliary wall controls available at www.venmar.ca.

Option

HEPA Filter 21996

Additional 0.3 in.w.g. static pressure at highest speed to be considered. Refer to the HEPA filter instructions for more details.

Defrosting System



With the help of the X-Touch wall control, this unit allows 3 defrost modes for recirculation:

- Standard (factory set regular mode)
- Plus (extended defrost for colder areas)
- Discretion (keeps the same speed when performing defrost as performing ventilation)

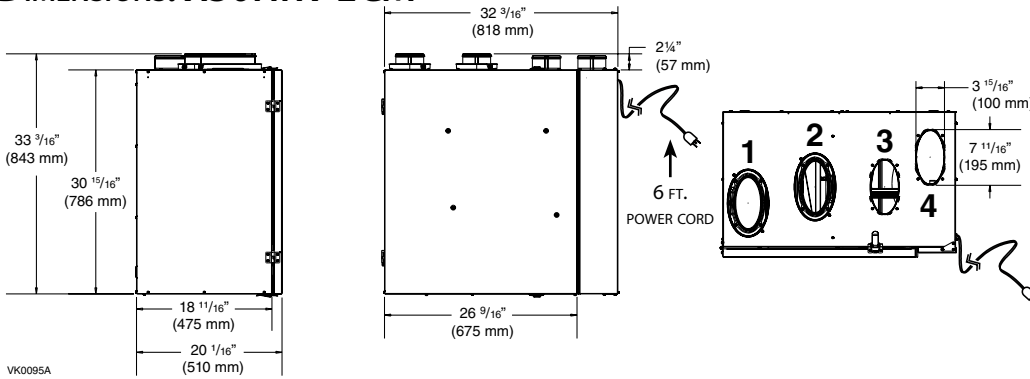
OUTSIDE TEMPERATURE*		DEFROST IN MINUTES / AIR EXCHANGE IN MINUTES					
		STANDARD		DISCRETION		PLUS	
°C	°F	CONTINUOUS MODE	TURBO FUNCTION	CONTINUOUS MODE	TURBO FUNCTION	CONTINUOUS MODE	TURBO FUNCTION
-27 and less	-17 and less	8/25	8/20	16/25	16/20	12/20	12/15
-20 to -27	-4 to -17	6/32	6/27	12/32	12/27	10/20	10/15
-15 to -20	5 to -4	6/35	6/30	12/35	12/30	8/25	8/20
-10 to -15	14 to 5	6/40	6/35	12/40	12/35	8/30	8/25
-5 to -10	23 to 14	6/50	6/45	12/50	12/45	8/40	8/30
WARMER THAN -5	WARMER THAN 23	NO DEFROST					

*Outside temperature is read by a thermistor located inside the unit, next to fresh air from outside port.

Requirements and standards

- Complies with the CSA C22.2 no. 113 Standard applicable to ventilators
- Complies with CSA F326 requirements regulating the installation of Heat Recovery Ventilators
- Technical data was obtained from published results of tests relating to CSA C439 Standards
- HVI certified and ENERGY STAR® qualified**

DIMENSIONS: X30HRV ECM



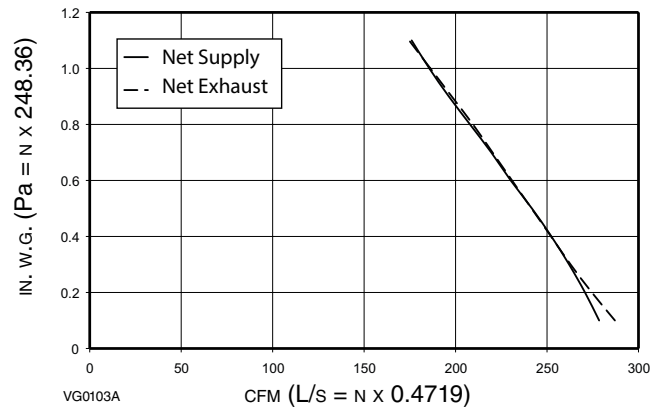
NOTE: ALL UNITS PORTS WERE CREATED TO BE CONNECTED TO DUCTS HAVING A MINIMUM OF 6" DIAMETER, BUT IF NEED BE, THEY CAN BE CONNECTED TO BIGGER SIZED DUCTS BY USING AN APPROPRIATE TRANSITION (E.G.: 6" DIAMETER TO 7" DIAMETER TRANSITION).

- 1: EXHAUST AIR TO OUTSIDE PORT
- 2: FRESH AIR FROM OUTSIDE PORT
- 3: EXHAUST AIR FROM BUILDING PORT
- 4: FRESH AIR TO BUILDING PORT

VENTILATION PERFORMANCE

EXTERNAL STATIC PRESSURE		NET SUPPLY AIR FLOW			GROSS AIR FLOW					
PA	IN. W.G.	L/S	CFM	M ³ /H	SUPPLY			EXHAUST		
PA	IN. W.G.	L/S	CFM	M ³ /H	L/S	CFM	M ³ /H	L/S	CFM	M ³ /H
25	0.1	131	278	472	132	280	476	136	288	488
50	0.2	128	271	460	129	273	464	130	275	467
75	0.3	124	263	445	125	265	448	124	263	447
100	0.4	119	252	428	120	254	431	119	252	428
125	0.5	114	242	411	115	244	415	114	242	411
150	0.6	109	231	391	110	233	394	109	231	392
175	0.7	104	220	374	104	220	374	104	220	374
200	0.8	98	208	353	99	210	355	99	210	357
225	0.9	93	197	333	94	199	336	93	197	336
250	1.0	88	186	316	89	189	319	88	186	316
275	1.1	83	176	299	84	178	302	82	174	297

FAN CURVE ACCORDING TO SPEED



FULLY ADJUSTABLE SPEED RANGE
FROM 50 CFM TO MAXIMUM SPEED.

ENERGY PERFORMANCE

SUPPLY TEMPERATURE		NET AIR FLOW			POWER CONSUMED WATTS	SENSIBLE RECOVERY EFFICIENCY	ADJUSTED SENSIBLE RECOVERY EFFICIENCY	APPARENT SENSIBLE EFFECTIVENESS*	LATENT RECOVERY/MOISTURE TRANSFER
°C	°F	L/S	CFM	M ³ /H					
HEATING									
0	32	30	64	109	18	75	77	80	0
0	32	47	100	170	25	70	71	74	0
0	32	69	146	248	48	65	66	69	0
-25	-13	30	64	109	28	66	67	83	0

*Data not certified by HVI.

NOTE: All specifications are subject to change without notice.

SPECIFICATIONS

- Model: X30HRV ECM
- Part Number: X30HRVE
- Total Assembled Weight (including polypropylene core): 93 lb. (42 kg)
- Oval shaped ports; fit 6" round ducts
- Drains: 1/2" (1.2 cm) fittings with 10 ft. (3m) PVC drain
- Core Filters: 2 washable Merv 6 filters
- Housing: Pre-painted steel
- Optional HEPA Filter
- Insulation: Expanded polystyrene
- Mounting: Suspension by chains and springs or wall bracket system
- Supply and Exhaust Blower Motors:
 - Two ECM motors
 - Protection type: Thermally protected
- X-Touch wall control offering 5 manual modes: Recirculation, 20 MIN/H, Continuous, Smart and Turbo
- Heat Recovery Core:
 - Dimensions: 12" x 12" x 16.6" (30.5 cm x 30.5 cm x 42.2 cm)
 - Exchange surface: 144 ft.² (13.4 m²)
 - Weight: 11 lb. (5 kg)
 - Type: Crossflow
 - Material: Polypropylene
 - Warranty: Limited lifetime
- Unit Electrical Characteristics:

Volts	Frequency	Amps	Watts
120	60 Hz	2.2	135

Project:	REMARKS
Location:	
Part no.: X30HRVE	
Qty.:	
Submitted by:	Date:



Venmar Ventilation ULC, 550 Lemire Blvd., Drummondville, Québec, Canada J2C 7W9 venmar.ca 800-567-3855



X30HRVECMd2110