



**Venmar HRV Solo 2.4**

**Part no. 45928**

114 to 250 CFM (0.3 in. w.g.)

108 to 235 CFM (0.4 in. w.g.)



VB0230

**FOR RENOVATION AND CUSTOM BUILT HOUSES**

Designed for homeowners seeking the best performance, added value and quality.

Recognized for its unsurpassed quality and superior craftsmanship, this new member of Solo Series features a new level of exceptional performance. It is guaranteed to satisfy the homeowner looking for durability, reliability and performance.

**Solid Performances**

- Best heat recovery in its category
- Best airflow range in its category
- Exclusive convertible HRV to an ERV (Latent Recovery Core)
- Blower design makes the unit quieter than ever

**Superior Craftsmanship**

- External electrical access side panel
- Integrated balancing dampers
- All serviceable parts removable in 5 minutes
- Aluminum framed foam filter
- Improved sliding system for core insertion
- Exclusive, deeper one piece condensation tray to prevent water leakage
- No sharp angles on metal parts
- Exclusive, reinforced housing
- Improved defrost damper and damper mechanism, designed to operate during the toughest weather conditions

**Tradition of Quality**

- Proven technology and mechanical simplicity for heat recovery
- Low motor temperature operation for longer life expectancy

**WARRANTY**

The HRV Solo 2.4 unit is protected by a complete 5-year warranty on all parts. The heat recovery core is covered by a limited lifetime warranty, with the original proof of purchase.

Available at:



**HEAT RECOVERY VENTILATOR**

**Controls**

- Choose between these two following main controls:
  - Altitude programmable digital control with SMART mode no. 40445
  - Deco-Touch digital control no. 40400
- Also, the following auxiliary wall controls can be added:
  - 20/40/ 60-min. push button no. 03364
  - 60-min. Mechanical timer no. 00910
  - Dehumidistat no. 11297

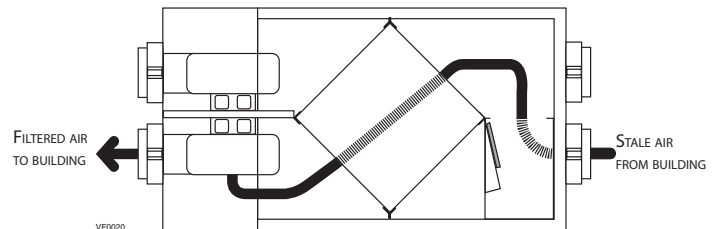
For more details about controls, refer to their specification sheet and to the **Main and auxiliary wall control user guide** at [www.venmar.ca](http://www.venmar.ca).

**Options**

- Complete line of registers and diffusers
- Electric duct heater

**No Negative Pressure Defrost**

Defrost system ensures that no negative pressure is created by air exhausted to the outdoors, as the air is recirculated into the house, helping to prevent any backdraft.



VF0020

OUTSIDE TEMPERATURE		DEFROST CYCLE MIN./ OPERATING MIN.
°C	°F	
WARMER THAN -5	WARMER THAN 23	No DEFROST
-5 TO -27	23 TO -17	6/32
-27 AND LESS	-17 AND LESS	6/20

**Heat Recovery Core**

Dimensions: 12" x 12" x 16.75"

Exchange surface: 166 ft.<sup>2</sup>

Weight: 9.5 lb.

Material: Polypropylene

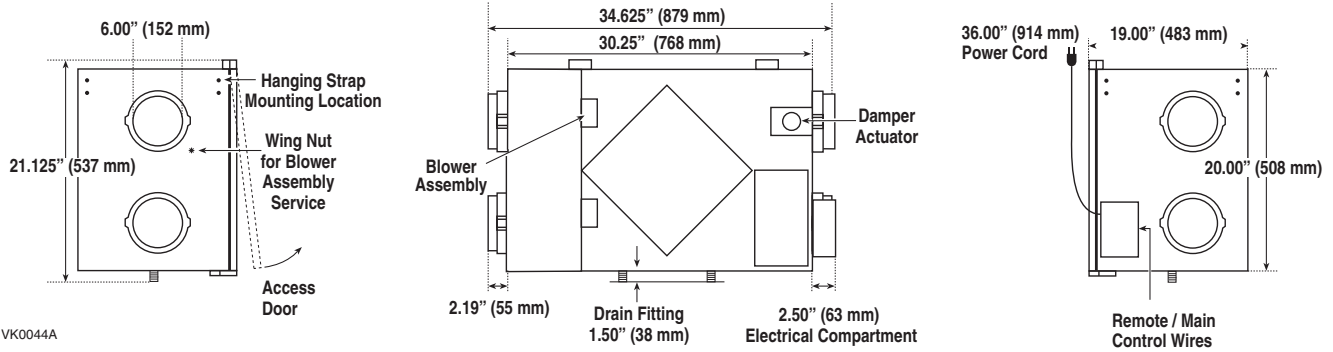
Type: Cross Flow

Warranty: Limited lifetime

**Requirements and standards**

- Complies with the CSA C22.2 no. 113 Standard applicable to ventilators
- Complies with CSA C444 requirements regulating the installation of Heat Recovery Ventilators
- Technical data was obtained from published results of tests relating to CSA C439 Standards
- HVI certified

# DIMENSIONS: HRV SOLO 2.4



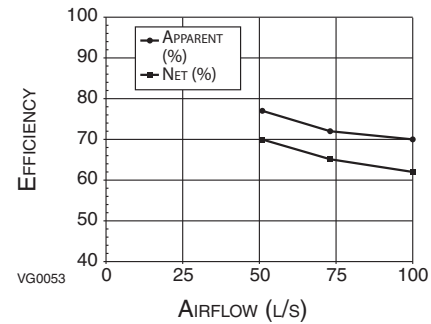
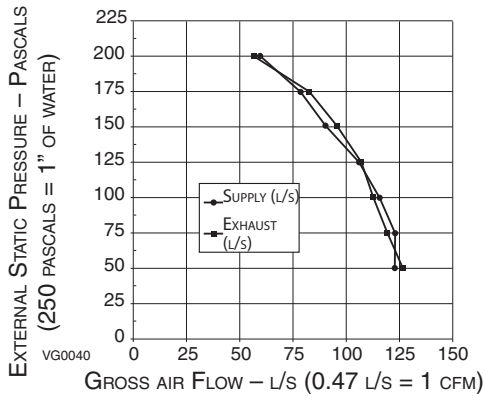
NOTE: ALL UNITS PORTS WERE CREATED TO BE CONNECTED TO DUCTS HAVING A MINIMUM OF 6" DIAMETER, BUT IF NEED BE, THEY CAN BE CONNECTED TO BIGGER SIZED DUCTS BY USING AN APPROPRIATE TRANSITION (E.G.: 6" DIAMETER TO 7" DIAMETER TRANSITION).

## VENTILATION PERFORMANCE

EXTERNAL STATIC PRESSURE		NET SUPPLY AIR FLOW		GROSS AIR FLOW			
PA	IN. W.G.	L/S	CFM	SUPPLY		EXHAUST	
				L/S	CFM	L/S	CFM
50	0.2	119	253	125	264	126	268
75	0.3	118	250	124	262	118	251
100	0.4	111	235	116	245	114	241
125	0.5	102	216	106	224	107	226
150	0.6	87	185	91	193	96	204
175	0.7	76	160	79	167	81	172
200	0.8	57	120	59	124	57	121

## ENERGY PERFORMANCE

SUPPLY TEMPERATURE		NET AIR FLOW		POWER CONSUMED	SENSIBLE RECOVERY	APPARENT SENSIBLE EFFECTIVENESS	LATENT RECOVERY/MOISTURE TRANSFER
°C	°F	L/s	CFM	WATTS	EFFICIENCY		
HEATING							
0	32	51	109	92	70	77	-0.01
0	32	73	155	128	65	72	-0.02
0	32	102	215	191	62	70	-0.01
-25	-13	52	110	104	60	94	0.05
COOLING							
-25	-13				TOTAL RECOVERY EFFICIENCY		
NOT TESTED							



NOTE: All specifications are subject to change without notice.

## SPECIFICATIONS

- Model: HRV Solo 2.4
- Part Number: 45928
- Total Assembled Weight (including polypropylene core): 73 lb.
- Round shaped ports; fit 6" round ducts
- Drains: 1/2" fittings with 10 ft PVC drain
- Filters: 2 washable 30 ppi reticulated foam 11.75" x 16.75" x 0.75"
- Housing: Pre-painted steel
- Insulation: 1" aluminum foil faced fiberglass
- Mounting: Suspension by chains and springs
- Supply and Exhaust Blower Motor:
  - Bearings: Sleeve bearings
  - Type: PSC
- Fan Speed Control:
  - Low, increased low and high speed
  - Two speeds available to user
  - Low or increased low speed is selected at the time of installation
- Unit Electrical Characteristics:
 

Volts	Frequency	Amps	Watts
120	60 Hz	1.9	202

Project:	REMARKS
Location:	
Part no.: 45928	
Qty.:	
Submitted by:	Date:



Residential Products Group, 550 Lemire Blvd., Drummondville, Qc, Canada J2C 7W9 - Tel.: 1-800-567-3855 Fax: 1-800-567-1715



www.venmar-usa.com

HRVSOLO2.4d150202