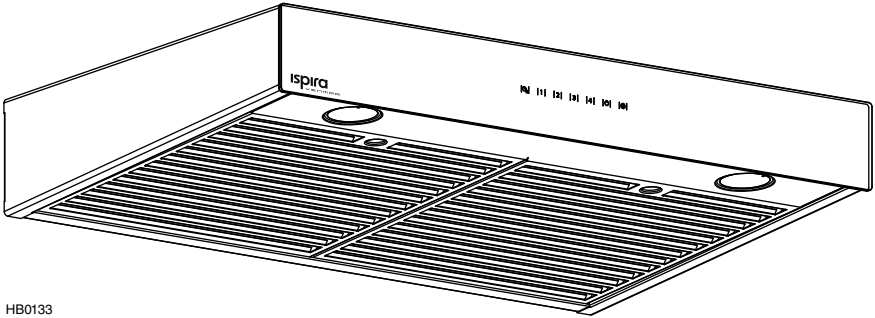


# INSTALLATION INSTRUCTIONS

---

# Ispira

VENMAR®



HB0133

## IU600ES SERIES

**⚠ INTENDED FOR DOMESTIC COOKING ONLY ⚠**

**READ AND SAVE THESE INSTRUCTIONS**

INSTALLER: LEAVE THIS MANUAL WITH HOMEOWNER.  
HOMEOWNER: USE AND CARE INFORMATION  
ON PAGES 10 TO 12.

---

Venmar Ventilation ULC, 550 Lemire Blvd., Drummondville QC J2C 7W9  
1-800-567-3855

REGISTER YOUR PRODUCT ONLINE AT: [www.bnv.ca](http://www.bnv.ca)

For additional information, visit  
[www.venmar.ca](http://www.venmar.ca)



21224 rev. 04

## **⚠ WARNING**

### **TO REDUCE THE RISK OF FIRE, ELECTRIC SHOCK OR INJURY TO PERSONS, OBSERVE THE FOLLOWING:**

1. Use this unit only in the manner intended by the manufacturer. If you have questions, contact the manufacturer at the address or telephone number listed in the warranty.
2. Before servicing or cleaning unit, switch power off at service panel and lock service disconnecting means to prevent power from being switched on accidentally. When the service disconnecting means cannot be locked, securely fasten a prominent warning device, such as a tag, to the service panel.
3. Installation work and electrical wiring must be done by qualified personnel in accordance with all applicable codes and standards, including fire-rated construction codes and standards.
4. Sufficient air is needed for proper combustion and exhausting of gases through the flue (chimney) of fuel burning equipment to prevent backdrafting. Follow the heating equipment manufacturer's guidelines and safety standards such as those published by the National Fire Protection Association (NFPA) and the American Society for Heating, Refrigeration and Air Conditioning Engineers (ASHRAE) and the local code authorities.
5. When cutting or drilling into wall or ceiling, do not damage electrical wiring and other hidden utilities.
6. Ducted fans must always be vented to the outdoors.
7. Do not use this unit with any additional solid-state speed control device.
8. To reduce the risk of fire, use only metal ductwork.
9. This unit must be grounded.
10. All tempered glass can experience spontaneous breakage. If broken, tempered glass falls out of its opening in interlocking clumps. Tempered glass can, on occasion, break into large shards rather than the classic tiny piece pattern.
11. When applicable local regulations comprise more restrictive installation and/or certification requirements, the aforementioned requirements prevail on those of this document and the installer agrees to conform to these at his own expenses.

### **TO REDUCE THE RISK OF A RANGE TOP GREASE FIRE:**

- a) Never leave surface units unattended at high settings. Boilovers cause smoking and greasy spillovers that may ignite. Heat oils slowly on low or medium settings.
- b) Always turn hood ON when cooking at high heat or when flambing food (i.e.: Crêpes Suzette, Cherries Jubilee, Peppercorn Beef Flambé).
- c) Clean ventilating fan frequently. Grease should not be allowed to accumulate on fan, filters or in exhaust ducts.
- d) Use proper pan size. Always use cookware appropriate for the size of the surface element.

## **⚠ WARNING**

### **TO REDUCE THE RISK OF INJURY TO PERSONS IN THE EVENT OF A RANGE TOP GREASE FIRE, OBSERVE THE FOLLOWING\*:**

1. SMOTHER FLAMES with a close-fitting lid, cookie sheet or metal tray, then turn off the burner. BE CAREFUL TO PREVENT BURNS. IF THE FLAMES DO NOT GO OUT IMMEDIATELY, EVACUATE AND CALL THE FIRE DEPARTMENT.
2. NEVER PICK UP A FLAMING PAN — You may be burned.
3. DO NOT USE WATER, including wet dishcloths or towels — This could cause a violent steam explosion.
4. Use an extinguisher ONLY if:
  - A. You own a Class ABC extinguisher and you know how to operate it.
  - B. The fire is small and contained in the area where it started.
  - C. The fire department has been called.
  - D. You can fight the fire with your back to an exit.

\*Based on "Kitchen Fire Safety Tips" published by NFPA.

## **CAUTION**

1. For indoor use only.
2. For general ventilating use only. Do not use to exhaust hazardous or explosive materials and vapors.
3. To avoid motor bearing damage and noisy and/or unbalanced impellers, keep drywall spray, construction dust, etc. off power unit.
4. Your hood motor has a thermal overload which will automatically shut off the motor if it becomes overheated. The motor will restart when it cools down. If the motor continues to shut off and restart, have the hood serviced.
5. The hood distance above cooktop must not be less than 24". A maximum of 30" above cooktop is highly recommended for best capture of cooking impurities. **For a gas range**, the bottom of the hood MUST NOT BE LESS than 30" above cooktop.
6. Two installers are recommended because of the large size and weight of this unit.
7. To reduce the risk of fire and to properly exhaust air, be sure to duct air outside — Do not exhaust air into spaces within walls or ceiling or into attics, crawl space or garage.
8. Because of the high exhausting capacity of this unit, you should make sure enough air is entering the house to replace exhausted air by opening a window close to or in the kitchen.
9. Use with approved cord-connection kit only.
10. Please read specification label on product for further information and requirements.

# TABLE OF CONTENTS

|     |   |       |
|-----|---|-------|
| 1.  | INSTALL DUCTWORK .....                        | 3-4   |
| 2.  | PREPARE INSTALLATION .....                    | 4-5   |
| 3.  | PREPARE THE HOOD .....                        | 5-6   |
| 4.  | INSTALL GLASS PANEL (WG MODELS ONLY).....     | 6     |
| 5.  | INSTALL THE ADAPTER/DAMPER .....              | 7-8   |
| 6.  | INSTALL THE HOOD .....                        | 8     |
| 7.  | CONNECT WIRING .....                          | 9     |
| 8.  | REINSTALL BLOWER WHEEL AND BOTTOM PANEL ..... | 9     |
| 9.  | REINSTALL HYBRID FILTERS .....                | 10    |
| 10. | LED LIGHTING.....                             | 10    |
| 11. | CARE .....                                    | 10-11 |
| 12. | OPERATION.....                                | 11-12 |
| 13. | WIRING DIAGRAM.....                           | 13    |
| 14. | SERVICE PARTS .....                           | 14-15 |
| 15. | WARRANTY .....                                | 16    |

## 1. INSTALL DUCTWORK

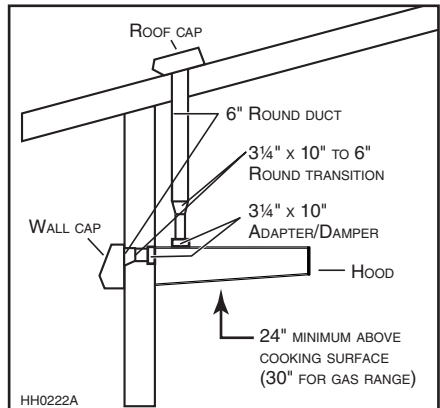
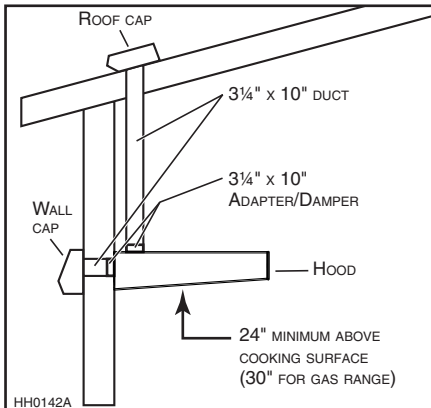
Plan where and how the ductwork will be installed.

The ducting from this fan to the outside of the building has a strong effect on the air flow, noise and energy use of the fan. Use the shortest, straightest duct routing possible for best performance, and avoid installing the fan with smaller ducts than recommended. Insulation around the ducts can reduce energy loss and inhibit mold growth. Fans installed with existing ducts may not achieve their rated airflow. Refer to the table next page to help you plan the most efficient installation.

Install wall or roof cap; once done, ensure there is no leak in house insulation. Connect metal ductwork to cap and work back towards the hood location. If 6" round ducts are installed, use a 3¼" x 10" to 6" transition positioned, if possible, 18" away from the adapter/damper. Use 2" metal foil duct tape to seal the joints.

**We recommend to install the hood at a minimum distance of 24" from an electric range and of 30" from a gas range.**

Distances over 30" are at the installer and users discretion.



# 1. INSTALL DUCTWORK (CONT'D)

## MAXIMUM DUCT LENGTHS RECOMMENDED TO ACHIEVE 80% EXHAUST EFFICIENCY

| 3 ¼" x 10" MAXIMUM DUCT LENGTH | 6" ROUND MAXIMUM DUCT LENGTH | ROOF OR WALL CAP WITH DAMPER | ELBOW(S)* (90° AND/OR 45°) |
|--------------------------------|------------------------------|------------------------------|----------------------------|
| 60 FT.                         | -                            | 1                            | 0                          |
| 50 FT.                         | -                            | 1                            | 1                          |
| 40 FT.                         | -                            | 1                            | 2                          |
| -                              | 50 FT.                       | 1                            | 0                          |
| -                              | 40 FT.                       | 1                            | 1                          |
| -                              | 30 FT.                       | 1                            | 2                          |

\*STANDARD ELBOWS WITH 1" INTERNAL RADIUS.

# 2. PREPARE INSTALLATION

## ⚠ WARNING

**When performing installation, servicing or cleaning the unit, it is recommended to wear safety glasses and gloves.**

NOTE: Before proceeding to the installation, check the contents of the box. If items are missing or damaged, contact the manufacturer.

Make sure that the following items are included:

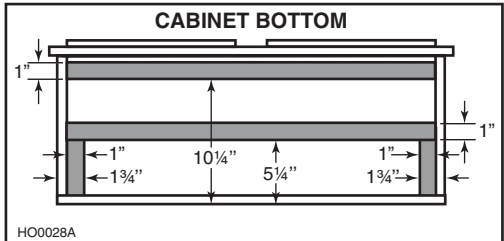
- Hood
- Installation manual
- Accessories:
  - 2 hybrid filters
  - 3 ¼" x 10" adapter/damper (located in one styrofoam end cap)
  - Parts bag (located in one styrofoam end cap) including:
    - 1 wire clamp, 9 no. 8 x 1/2" screws, 2 wire connectors and 3 no. 6 x 1/2" standard screws

Parts sold separately:

- Ducts, elbows, wall or roof caps
- Transition 3 ¼" x 10" to 6" round (optional, for 6" round ducts installation only)
- Glass panel for IU600ES30WG and IU600ES36WG models (see service parts list on pages 14 and 15)

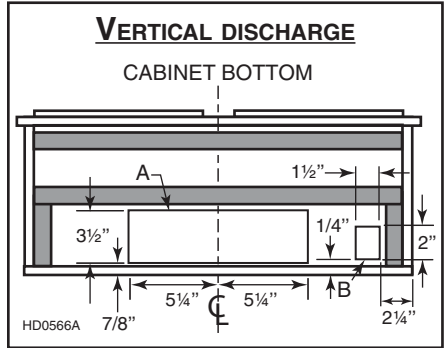
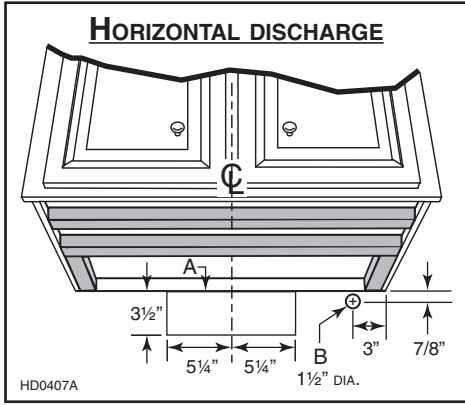
NOTES: 1. During installation, protect countertop and/or cooktop.

2. If the bottom of the cabinet is recessed, attach four 1" wide wood strips (not included), as shown at right, in order to properly attach the hood to the cabinet. The wood strips must be as thick as recess.



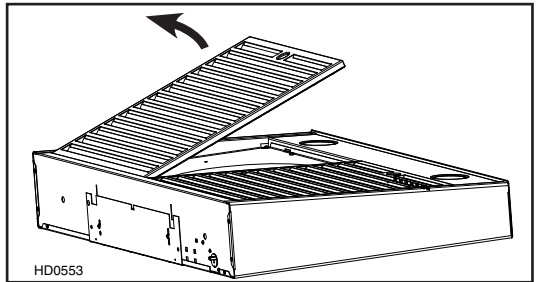
## 2. PREPARE INSTALLATION (CONT'D)

Cut-out the openings for duct (A) and power cable (B), in cabinet or wall, according to the direction of discharge chosen. See figures below.



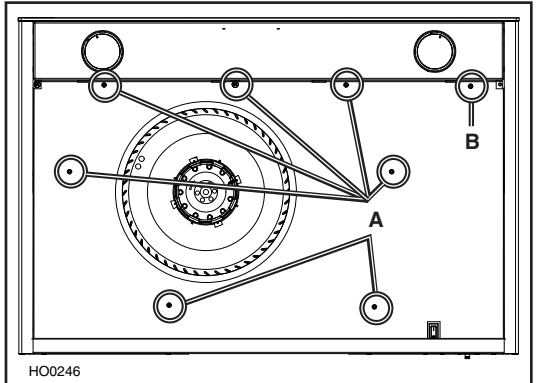
## 3. PREPARE THE HOOD

- 3.1** Lay the hood filters up on a table. Use a piece of cardboard to avoid damaging the table or the hood. Remove tape on filters. Lift filters by pushing them towards the back and flip them up, then set the filters aside.



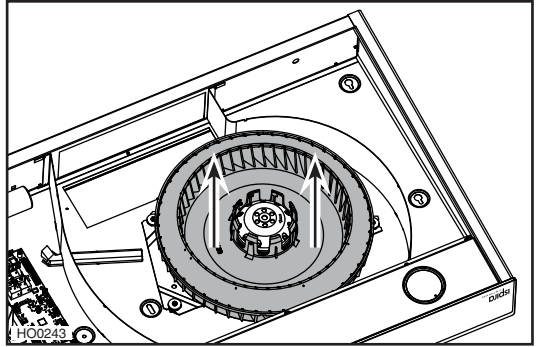
- 3.2** **FOR 30" WIDE HOODS:**  
Remove the 7 screws (A only) retaining the bottom panel, and set aside.

**FOR 36" WIDE HOODS:**  
Remove the 8 screws (A and B) retaining the bottom panel and set aside.



### 3. PREPARE THE HOOD (CONT'D)

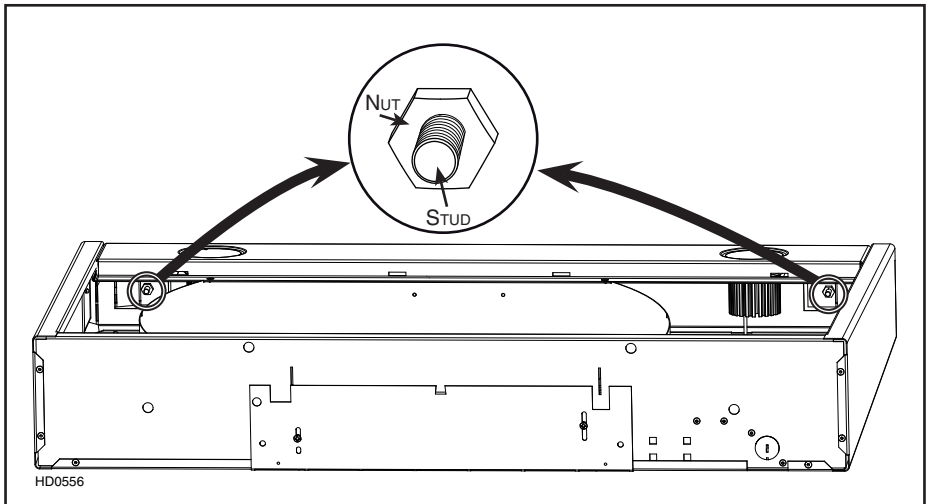
- 3.3 Using both hands, gently pull on the blower wheel to remove. Set blower wheel aside.



### 4. INSTALL GLASS PANEL (WG MODELS ONLY)

The WG hood models decorative glass panel is sold separately and has to be installed before completing the hood installation.

- 4.1 Carefully remove glass panel from its packaging.  
Remove glass panel nuts (factory installed) from both studs and set aside.
- 4.2 Insert glass panel studs in hood front holes.
- 4.3 While holding glass panel, pre-tighten previously removed nuts by hand. Ensure glass panel is flush with top of hood and centered from side-to-side.  
Then, using a 3/8" socket, tighten nuts completely.

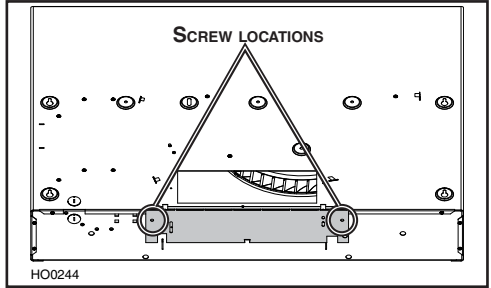


## 5. INSTALL THE ADAPTER/DAMPER (ALL MODELS)

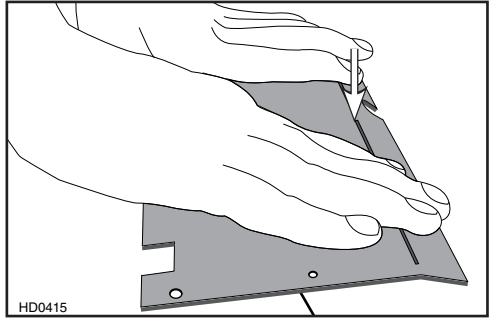
The wall duct must be roughed-in to properly interface with the hood. Before performing the installation, make sure the adapter fits easily in the duct. If this hood replaces an existing hood, please note that location of the air exhaust can vary from one manufacturer to another.

### FOR HORIZONTAL DISCHARGE ONLY:

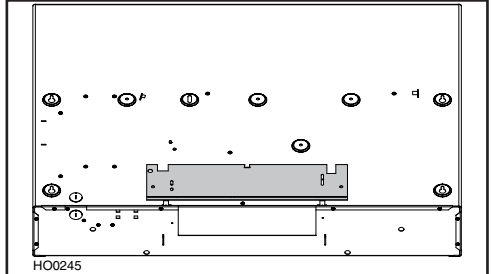
Turn the hood over and remove the metal shutoff plate from the back of the hood, by removing both retaining screws. Set screws aside.



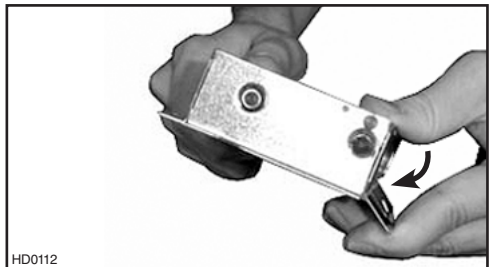
Press the metal shutoff plate on a flat surface to completely flatten bent flange.



Using both screws previously removed, install the metal shutoff plate on top of the hood.

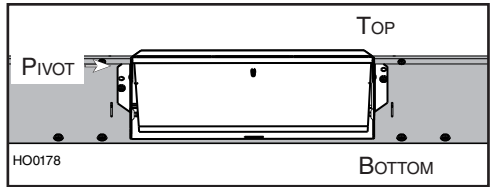


Fold down the foldable flange of the adapter/damper. This flange must be at 90° from the remaining flanges. See picture beside.



## 5. INSTALL THE ADAPTER/DAMPER (ALL MODELS) (CONT'D)

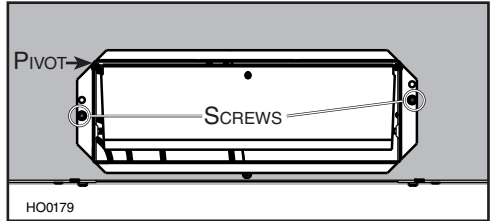
Using two no. 6 x 1/2" screws provided, secure the adapter/damper to the back of the hood. Remove tape from damper flap.



Seal the adapter/damper to the hood using metal foil duct tape.

### FOR VERTICAL DISCHARGE ONLY:

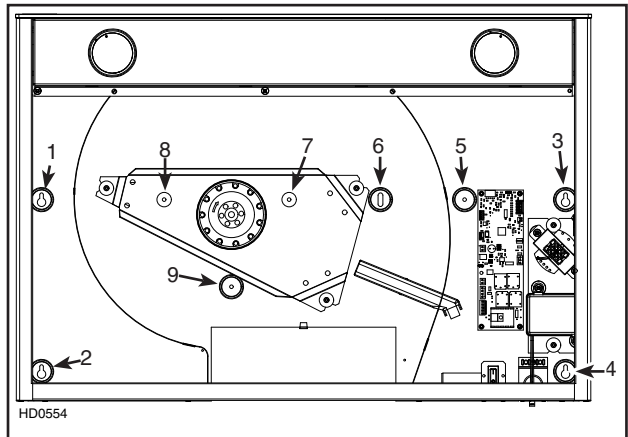
Using two no. 6 x 1/2" screws provided, secure the adapter/damper to the top of the hood. Remove tape from damper flap.



Seal the adapter/damper to the hood using metal foil duct tape.

## 6. INSTALL THE HOOD

**6.1** Run power cable to installation location. Position the hood in its intended location. Using a pen, mark the position of the screws (as shown at right). Remove the hood.



**6.2** Install the first four no. 8 x 1/2" screws, leaving a 1/8" gap (do not install screws nos. 5, 6, 7, 8 and 9 yet).

**6.3** Install the wire clamp and insert the power cable in the hood. Place the hood under the cabinet, slide it in position and tighten the wire clamp to secure the cable. Make sure the adapter/damper enters the duct opening. Tighten the first 4 screws completely, then add the last screws (screws nos. 5, 6, 7, 8 and 9) in the center holes. Make sure the damper flap opens freely.



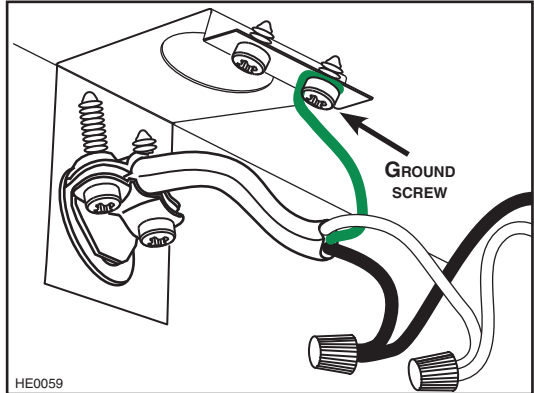
## 7. CONNECT WIRING

### **⚠ WARNING**

Risk of electric shock. Electrical wiring must be done by qualified personnel in accordance with all applicable codes and standards. Before connecting wires, switch power off at service panel and lock service disconnecting means to prevent power to be switched on accidentally.

Connect cable to range hood wiring using included wire connectors.

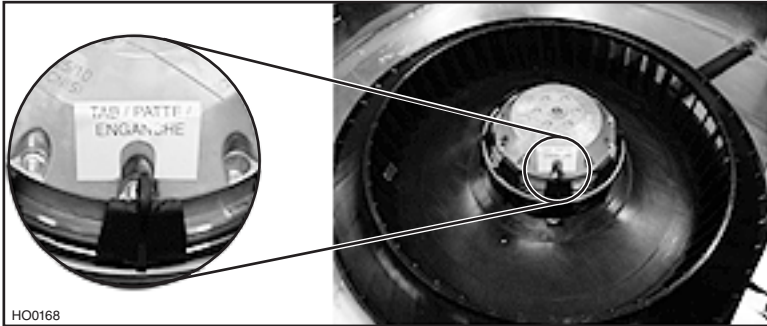
Connect BLACK to BLACK, WHITE to WHITE and GREEN or BARE WIRE to GREEN ground screw. **DO NOT FORGET TO CONNECT THE GROUND.**



## 8. REINSTALL BLOWER WHEEL AND BOTTOM PANEL

### **CAUTION**

When reinstalling the blower wheel, make sure the small tab is aligned with the yellow label on the motor.



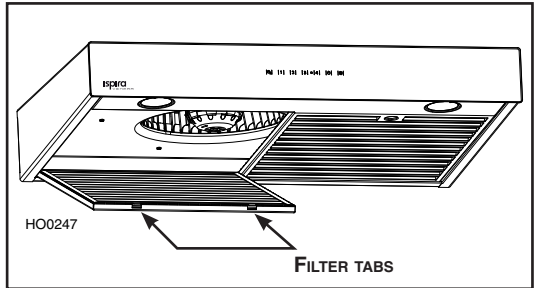
- 8.1 Reinstall blower wheel: Using both hands, gently push on the blower wheel until secured.
- 8.2 Insert bottom panel in the back of the hood.
- 8.3 Secure bottom panel to the hood, using the 7 or 8 screws previously removed in step 3.2.

## 9. REINSTALL THE HYBRID FILTERS

### CAUTION

Remove protective plastic film covering filters before reinstalling them.

Rest rear filters edge on filter springs in the range hood. Tilt up the filters into position. Make sure filter tabs are securely engaged in range hood front edge slots after installation.



## 10. LED LIGHTING

The lighting of this hood is produced by two LED modules (included).

### ⚠ WARNING

Do not touch lamps during or soon after operation. Burns may occur. Cannot be replaced by any other type of light bulb or LED module.

## 11. CARE

### ⚠ WARNING

Before servicing or cleaning the unit, switch power off at service panel and lock service panel to prevent power from being switched on accidentally. When the service disconnecting means cannot be locked, securely fasten a prominent warning device, such as a tag, to the service panel.

#### HYBRID FILTERS AND BOTTOM PANEL

The hybrid filters and the bottom panel should be cleaned frequently. Use a warm detergent solution. Remove hybrid filters by pushing them towards the back of hood and rotating downward.

Clean all-metal filters in the dishwasher using a non-phosphate detergent. Discoloration of the filters may occur if using phosphate detergents, or as a result of local water conditions — this will not affect filter performance. This discoloration is not covered by the warranty.

#### STAINLESS STEEL

##### Do:

- Regularly wash with clean cloth or rag soaked with warm water and mild soap or liquid dish detergent.
- Always clean in the direction of original polish lines.
- Always rinse well with clear water (2 or 3 times) after cleaning. Wipe dry completely.
- You may also use a specialized household stainless steel cleaner.

##### Don't:

- Use any steel or stainless steel wool or any other scrapers to remove stubborn dirt.
- Use any harsh or abrasive cleansers.
- Allow dirt to accumulate.
- Let plaster dust or any other construction residues reach the hood. During construction/renovation, cover the hood to make sure no dust sticks to stainless steel surfaces.

## 11. CARE (CONT'D)

---

### GLASS PANEL

Hot water with mild soap or glass cleaner is all that is usually needed.

When using mild soap, rinse with clear water. Wipe dry with a clean, soft cloth to avoid water marks.

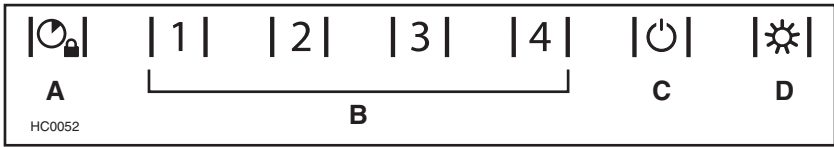
### **Avoid when choosing a detergent:**

- Any cleaners that contain **bleach**. They will attack stainless steel.
- Any products containing **chloride, fluoride, iodide, bromide**. They will deteriorate surfaces rapidly.
- Any combustible products used for cleaning such as **acetone, alcohol, ether, benzol**, etc. They are highly explosive and should never be used close to a range.

## 12. OPERATION

---

Always turn your hood on before you begin cooking to establish an air flow in the kitchen. Let the blower run for a few minutes to clear the air after you turn off the range.



### A. DELAY BUTTON/CONTROL LOCK (DOUBLE FUNCTION BUTTON):

- When a blower speed is selected, press this button to activate the delay function. The delay button will light to its high intensity, then to its mid intensity to indicate this function is activated; the selected blower speed button will alternate every 2 seconds from its high intensity to its mid intensity. The blower will continue to operate for 5 minutes and will stop automatically. Selecting an other speed while the delay function is activated will not deactivate the function or reset the timer. To cancel the delay function, press the delay button once again, or press the selected speed button which will also turn the blower off.
- When blower is off, it is possible to lock the control interface in order to clean the glass panel.  
To lock the control interface: Press and hold the button for 2 seconds. The button will light to its high intensity and flash three times, it will then stay on its mid intensity to indicate that the control interface is locked.  
To unlock the control interface: Press and hold the button for 2 seconds. The button will light to its high intensity and flash 3 times, it will then fade out to its low intensity to indicate that the control interface is unlocked.

### B. SPEED SELECTION BUTTONS:

Press the button corresponding to the desired blower speed (from 1 for low speed to 4 for high speed). The chosen speed button will light to its high intensity then fade to its mid intensity. To turn off the blower, press once more on the corresponding blower speed button; the button light will fade to its low intensity.

NOTE: When blower is off, pressing on blower speed 1 button will cause the blower to start on second speed for a very short lapse of time, and then resume on speed 1.

## 12. OPERATION (CONT'D)

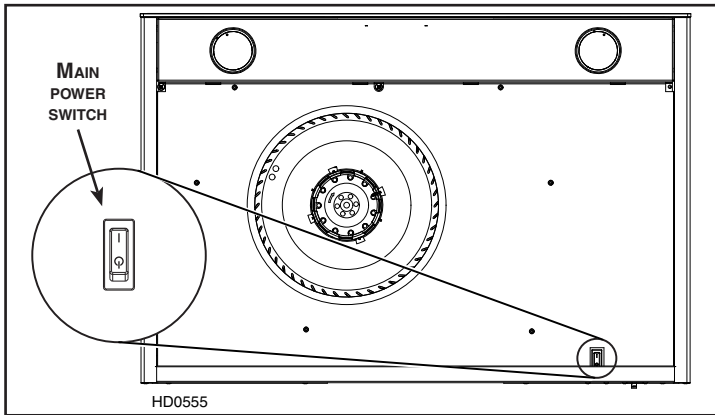
### C. MASTER ON/OFF:

When blower is off, press this button to turn the hood on to the last memorized speed level. If there is no memorized speed level, speed will be set at level 1. To turn off the blower and the light simultaneously, press this button once.

**HEAT SENTRY™:** The hood is equipped with a HEAT SENTRY thermostat. If blower is ON at a lower speed setting and excessive heat is detected above the cooking surface, it turns the blower up to third speed. When the temperature level drops to normal, the blower will return to its original setting.

### **⚠ WARNING**

The Heat Sentry can change the blower speed when excessive heat is detected above the cooking surface. If this situation occurs and you must stop the blower, press on the third speed button or on the master ON/OFF button, or turn the main power switch (illustrated below) to OFF.



### D. LIGHT BUTTON/BACKLIGHTING COLOR (DOUBLE FUNCTION BUTTON):

- i. This button allows three different lighting levels according to your needs. Press once for full intensity, twice for intensity level 2, and once more for nightlight. To turn off the lights, press once more.

If desired, when the lights are on, press and maintain the light button for 1 second; lights will be turned off.

**NOTE:** When only the lights are ON to any intensity and no interaction with the hood is detected for a 10-second period, the 7 buttons backlighting will fade to its low intensity, acting as a night light feature.

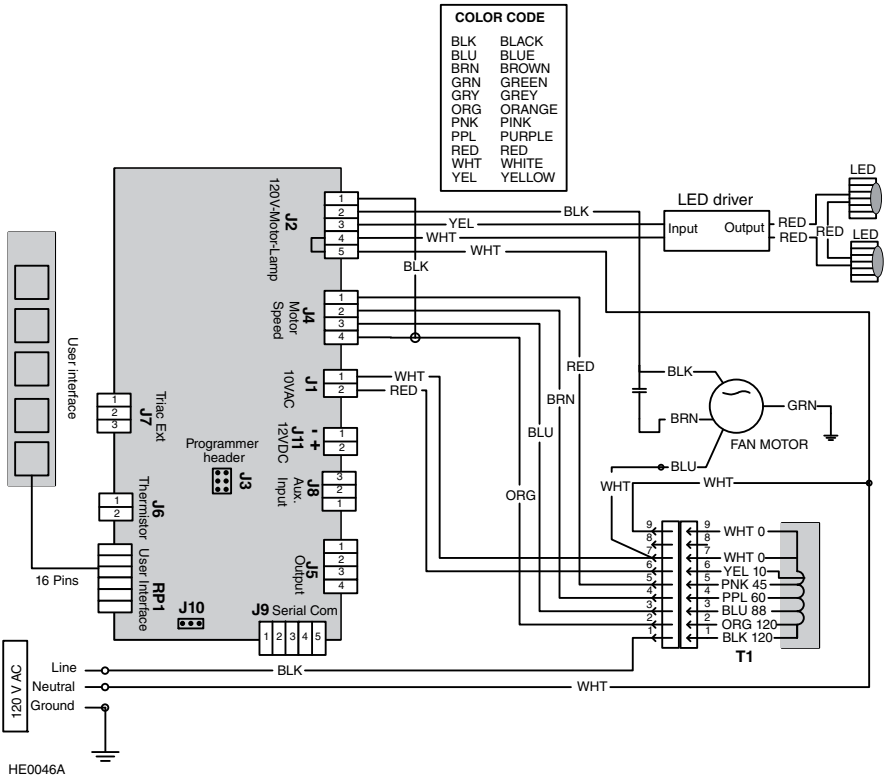
- ii. When lights are off, pressing and holding this button for 1 second will switch the backlighting color from white to blue or from blue to white (default backlighting color is white) and memorize it. The button will flash three times to indicate that the color change has been made.

**NOTE:** Due to the particular sensitivity of the control interface, keep the glass panel clean as dirt and condensation may cause erratic operation of the hood blower and/or lighting. If this situation occurs, wipe the glass panel and wait 90 seconds. Then, adjust the blower and/or lighting at your convenience.

# 13. WIRING DIAGRAM

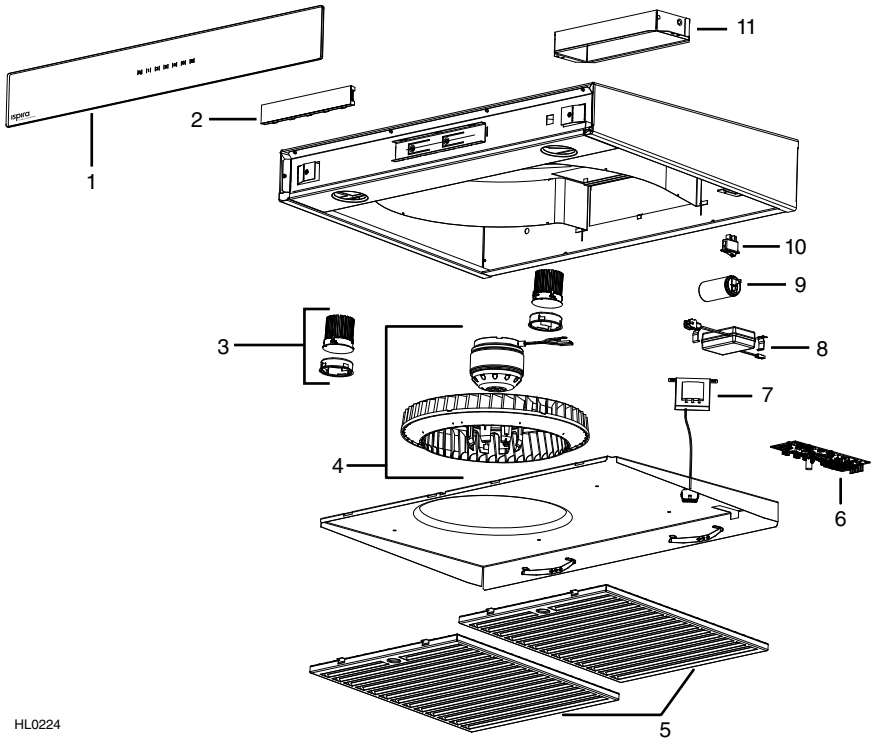
## ⚠ WARNING

Risk of electric shock. Electrical wiring must be done by qualified personnel in accordance with all applicable codes and standards. Before connecting wires, switch power off at service panel and lock service disconnecting means to prevent power from being switched on accidentally.



# 14. SERVICE PARTS

---



HL0224

## 14. SERVICE PARTS (CONT'D)

| KEY NO. | PART NO.   | DESCRIPTION                            | WIDTHS |     |
|---------|------------|--|--------|-----|
|         |            |  | 30"    | 36" |
| 1       | SV09953XX* | GLASS PANEL 30"                        | 1      | 0   |
| 1       | SV09954XX* | GLASS PANEL 36"                        | 0      | 1   |
| 2       | 22427      | ELECTRONIC CONTROL                     | 1      | 1   |
| 3       | 62612      | LED MODULE (1)                         | 2      | 2   |
| 4       | SV01766E   | WHEEL AND MOTOR                        | 1      | 1   |
| 5       | 62053      | HYBRID FILTER 15.875" x 14" x 0.5" (1) | 2      | 2   |
| 6       | 21189      | POWER UNIT                             | 1      | 1   |
| 7       | 07325      | TRANSFORMER                            | 1      | 1   |
| 8       | 62248      | LED DRIVER AND CONNECTION HARNESS      | 1      | 1   |
| 9       | 02160      | CAPACITOR                              | 1      | 1   |
| 10      | SV08548    | ROCKER SWITCH                          | 1      | 1   |
| 11      | 13296      | ADAPTER/DAMPER                         | 1      | 1   |
| **      | 21224      | INSTALLATION MANUAL                    | 1      | 1   |
| **      | 06751      | HARDWARE BAG                           | 1      | 1   |

\*PART NUMBER ACCORDING TO GLASS PANEL COLOR. PLEASE CONTACT CUSTOMER SERVICE OR VISIT WEB SITE.

\*\*ITEM NOT SHOWN.

### REPLACEMENT PARTS AND REPAIRS

In order to ensure your unit remains in good working condition, you must use Venmar Ventilation ULC genuine replacement parts only. Venmar Ventilation ULC genuine replacement parts are specially designed for each unit and are manufactured to comply with all the applicable certification standards and maintain a high standard of safety. Any third party replacement part used may cause serious damage and drastically reduce the performance level of your unit, which will result in premature failing. Venmar Ventilation ULC recommends to contact a certified service depot for all replacement parts and repairs.

## 15. WARRANTY

### VENMAR VENTILATION FIVE-YEAR WARRANTY

Venmar Ventilation ULC warrants to the original consumer purchaser of the Venmar Ispira IU600ES Series range hood that such product will be free from defects in materials or workmanship for a period of five (5) years from date of original purchase, except the LED modules and LED driver, which are covered for a period of three (3) years. This warranty includes in-home service for the first year and workshop service for the four (4) remaining years.

THERE ARE NO OTHER WARRANTIES, EXPRESS OR IMPLIED, INCLUDING, BUT NOT LIMITED TO, IMPLIED WARRANTIES OF MERCHANTABILITY OR FITNESS FOR A PARTICULAR PURPOSE. VENMAR VENTILATION ULC WILL NOT BE HELD RESPONSIBLE FOR ANY CLAIMS OVER THE ORIGINAL PURCHASE PRICE OF A VENMAR ISPIRA IU600ES SERIES RANGE HOOD NOR HELD RESPONSIBLE FOR SUBSEQUENT DAMAGE OR INCIDENT.

During the period stated above, Venmar Ventilation ULC will, at its option, repair or replace without charge any product or part which is found to be defective under normal use and service. THIS WARRANTY DOES NOT EXTEND TO FUSE, FILTERS, DUCTS, ROOF CAPS, WALL CAPS AND OTHER ACCESSORIES FOR DUCTING.

This warranty does not cover a) normal maintenance and service b) any products or parts which have been subject to misuse, negligence, accident, improper maintenance or repairs made by other than Venmar Ventilation ULC, or c) a faulty installation or installation contrary to recommended installation instructions.

Warranty service is to be completed by an authorized Service Center designated by Venmar Ventilation ULC. Where applicable, in-home service will be made available only in areas where a contracted service provider offers service. If in-home service is not available, the product will be repaired or replaced, at Venmar Ventilation ULC's discretion, by the nearest authorized service provider. The unit removal and reinstallation works are under the customer responsibility, and Venmar Ventilation ULC cannot be charged for them.

The duration of any implied warranty is limited to the 5-year period as specified for the express warranty. Some provinces do not allow limitation on how long an implied warranty lasts, so the above limitation may not apply to you.

VENMAR VENTILATION ULC'S OBLIGATION TO REPAIR OR REPLACE AT VENMAR VENTILATION ULC'S OPTION, SHALL BE THE PURCHASER'S SOLE AND EXCLUSIVE REMEDY UNDER THIS WARRANTY. VENMAR VENTILATION ULC SHALL NOT BE LIABLE FOR INCIDENTAL, CONSEQUENTIAL OR SPECIAL DAMAGES ARISING OUT OF OR IN CONNECTION WITH PRODUCT USE OR PERFORMANCE. SOME PROVINCES DO NOT ALLOW THE EXCLUSION OR LIMITATION OF INCIDENTAL OR CONSEQUENTIAL DAMAGES, SO THE ABOVE LIMITATION OR EXCLUSION MAY NOT APPLY TO YOU.

This warranty gives you specific legal rights and you may also have other rights, which vary from province to another. This warranty supersedes all prior warranties.

To contact Venmar Ventilation ULC warranty service, call 1-800-567-3855 in Canada. In order to qualify for a warranty claim, the owner of a Venmar Ispira IU600ES Series range hood must have the model and serial number along with a proof of the original purchase date. At the time of requesting service, describe the nature of any defect in the product or part.

Venmar Ventilation ULC, 550 Lemire Blvd., Drummondville, QC J2C 7W9 (1-800-567-3855)

[www.venmar.ca](http://www.venmar.ca)