

Venmar eco-efficient air exchanger



# PRO250



## Become a PRO at saving... energy

Discover the new eco-efficient HRV PRO250 from Venmar, available exclusively to contractors.



When installed by a professional, Venmar's PRO250 air exchanger meets the strictest requirements of government eco-efficient programs in North America and complies with the latest construction industry standards for new homes.

The PRO250 air exchanger delivers the best energy performance in terms of ventilation, recirculation and heat recovery, of all air exchangers available on the retail market.

It has been designed to meet building code and Novoclimat\* program requirements.

*A new era in home ventilation*



\*Novoclimat is a program from l'Agence de l'efficacité énergétique du Québec.





## PRO250

The best eco-efficient air exchanger available through retailers



### Practical tether straps

#### Exclusive to Venmar

- Faster, easier installation of insulated flexible ducts
- Clean, professional installation

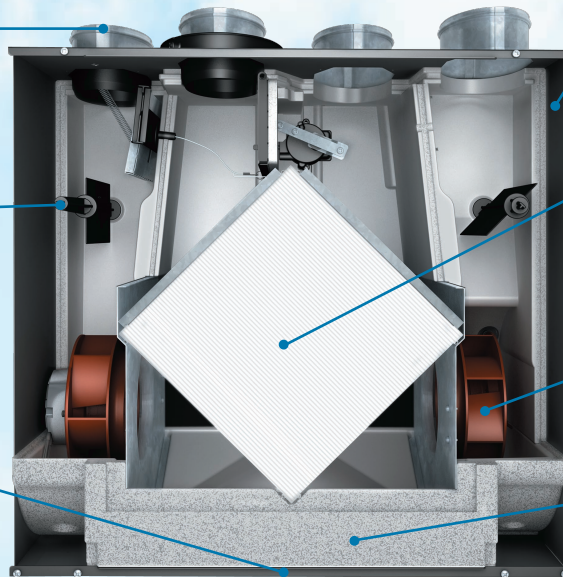
### Integrated balancing dampers

#### Exclusive to Venmar

- Located on the front of the unit for easier access
- Faster, easier installation
- Damper keys included

### Electronics module that's easy to access

- Facilitates maintenance and access to electronic components



### HomeShield™ defrosting system

- Prevents the formation of ice on the recovery module, without creating negative indoor air pressure
- Defrosting in recirculation mode

### Heat recovery core

- Offers greater comfort by heating the outdoor air before it is distributed
- Meets Novoclimat program requirements (61% heat recovery at 64 CFM/-25°C)

### High-pressure fan

- Supports longer ducts without affecting the ventilation flow

### Integrated draining system

- Deep, watertight reservoir with antibacterial coating, designed as a single part
- Quick connect technology for faster, easier installation of the drain

The PRO250 comes with the Breeze wall control, and additional wall controls are available for bathrooms



Part no. 08375

### Three modes of operation:

- 1 Recirculation: the ambient air recirculates without drawing in outdoor air.
- 2 Minimum: minimum ventilation flow.
- 3 Automatic: the device turns on automatically for 20 minutes in exchange mode and turns off for 40 minutes.

### Excess humidity control

- Integrated dehumidistat controls excess humidity
- Operates at maximum speed when there is excess humidity



Part no. 12030

### Bathroom wall control (optional)

The PRO250 allows you to install bathroom wall controls.

## Technical specifications

Dimensions (H x W x D)	Rate of air flow CFM	Heat recovery	Power	Ventilation area	Amps	Port dimensions	Defrosting	Certification	Multi-register	Wall control
23 5/8 x 24 7/16 x 15 1/8 in.	67 – 130 CFM (min/max)	Apparent sensible effectiveness at 0°C (32°F): 78% at 66 CFM	108 watts	Up to 3000 sq. ft. *	0.96 AMPS	6 in. oval	HomeShield™	HVI	Yes	Breeze 08375 (included)

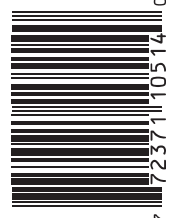
Specifications are subject to change without notice.

AVAILABLE AT AUTHORIZED RETAILERS



**Venmar Ventilation**  
550 Lemire Blvd., Drummondville  
Québec, Canada J2C 7W9  
Toll free: 1 800 567-3855

[www.venmar.ca](http://www.venmar.ca)



\*For new construction, refer to local building code.  
Specification and guidelines application for Novoclimat program: Quebec only.