



Venmar E15 ECM HRV

Part no. 43901

- 85 to 157* CFM 40 to 125* CFM
- 65 to 157* CFM 40 to 80* CFM
- 55 to 125* CFM **(Factory Set)**

*MAXIMUM SPEED AT 0.4 IN. W.G.



VB0210

DISCOVER THE NEW GENERATION OF VENMAR AIR EXCHANGERS: ULTRA-EFFICIENT AND ENVIRONMENTALLY-FRIENDLY

The E15 ECM HRV has been designed to be one of the most eco-friendly HRV air exchangers on the market. Its innovative design incorporates extremely high performance ECM* motors, which enable the E15 ECM HRV to significantly lower energy costs without affecting its performance. Additional energy efficiency is achieved through its advanced heat recovery core, which can retain up to 80% of the home's heating. The E15 ECM HRV surpasses energy-saving standards while providing effective heat recovery, ventilation and quiet operation. All aspects have been designed to facilitate balancing of air flow and simplify uses and installation.

- High performance ECM* motors
- Faster and easier installation of insulated flexible ducts with practical straps
- Integrated balancing dampers
- Integrated electronic board on motors
- Homeshield™ defrosting system
- Heat recovery core with superior capacity
- Optimized drainage system
- ENERGY STAR® qualified
- Electronically Commutated Motor.

REPAIRS AND MAINTENANCE

The E15 ECM HRV high output ECM motors are permanently lubricated. The electronic circuit board eliminates electromechanical parts, reducing repair time to a minimum.

WARRANTY

The E15 ECM HRV unit is protected by a complete 5-year warranty on all parts. The heat recovery core is covered by a limited lifetime warranty, with the original proof of purchase.

Available at:

HEAT RECOVERY VENTILATOR

Controls

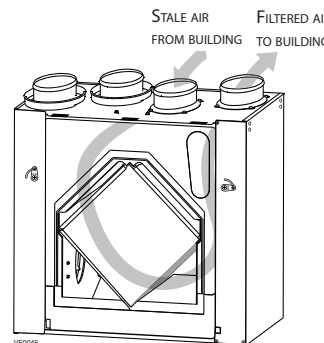
- This unit is very simple to operate. Once the unit is installed, press on its push button, located under the unit, to activate it. Press once for low speed, once again for high speed, and once more to stop it.
- For more convenience, this unit can also be controlled by an optional main control. For a complete list of optional main and auxiliary controls available, refer to the **Wall Control Compatibility Chart** on last pages of wall controls specification sheet, available at www.venmar.ca.
- For more details about controls, refer to the **Main and auxiliary wall controls** user guide, also available at www.venmar.ca.

Options

- Complete line of registers and diffusers
- Electric duct heater

Homeshield™ Defrosting System

The E15 ECM HRV uses a unique defrosting method. No negative pressure is created by air exhausted to the outside, as the air is recirculated into the house, helping to prevent any backdraft.



OUTSIDE TEMPERATURE		DEFROST CYCLE MIN./ OPERATING MIN.
°C	°F	
WARMER THAN -5	WARMER THAN 23	No DEFROST
-5 TO -15	23 TO 5	7/40
-15 TO -27	5 TO -17	7/25
-27 AND LESS	-17 AND LESS	10/22

Heat Recovery Core

Dimensions: 10" x 10" x 14.25" (25.4 cm x 25.4 cm x 36.2 cm)

Exchange surface: 110 ft.² (10.2 m²)

Weight: 7.36 lb. (3.3 kg)

Material: Polypropylene

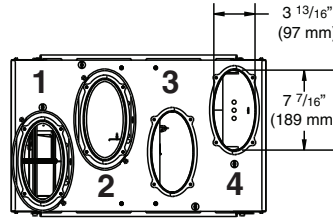
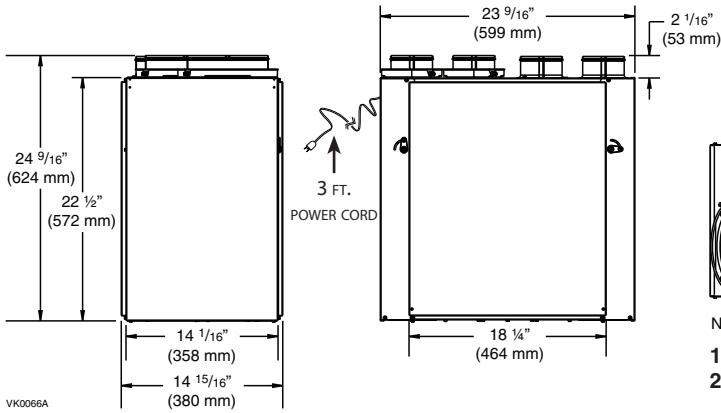
Type: Cross Flow

Warranty: Limited lifetime

Requirements and standards

- Complies with the UL 1812 requirements regulating the installation of Heat Recovery Ventilators
- Complies with the CSA C22.2 no. 113 Standard applicable to ventilators
- Complies with CSA F326 requirements regulating the installation of Heat Recovery Ventilators
- Technical data was obtained from published results of tests relating to CSA C439 Standards
- HVI certified and ENERGY STAR® qualified

DIMENSIONS: E15 ECM HRV



NOTE: ALL UNITS PORTS WERE CREATED TO BE CONNECTED TO DUCTS HAVING A MINIMUM OF 6" DIAMETER, BUT IF NEED BE, THEY CAN BE CONNECTED TO BIGGER SIZED DUCTS BY USING AN APPROPRIATE TRANSITION (E.G.: 6" DIAMETER TO 7" DIAMETER TRANSITION).

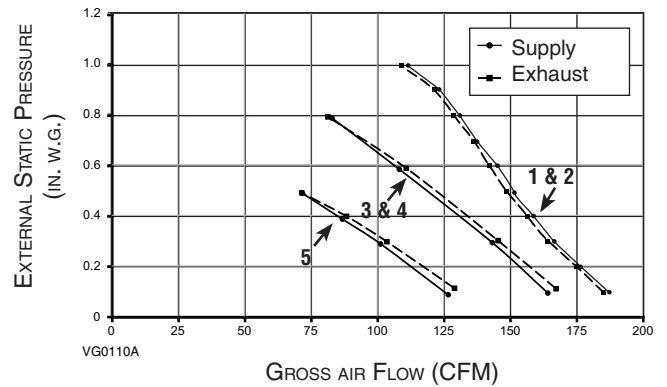
NOTE: Every port fits 6" round duct.

- 1: EXHAUST AIR TO OUTSIDE PORT
- 2: FRESH AIR FROM OUTSIDE PORT
- 3: EXHAUST AIR FROM BUILDING PORT
- 4: FRESH AIR TO BUILDING PORT

VENTILATION PERFORMANCE

EXTERNAL STATIC PRESSURE		NET SUPPLY AIR FLOW			GROSS AIR FLOW					
PA	IN. W.G.	L/S	CFM	M ³ /H	SUPPLY			EXHAUST		
					L/S	CFM	M ³ /H	L/S	CFM	M ³ /H
25	0.1	88	186	316	88	187	318	87	184	314
50	0.2	83	176	299	83	176	299	83	176	297
75	0.3	78	165	280	78	165	282	77	163	279
100	0.4	74	157	267	74	157	268	74	157	265
125	0.5	71	150	255	71	150	257	70	148	253
150	0.6	68	144	245	68	144	246	67	142	241
175	0.7	64	136	233	65	138	233	64	136	231
200	0.8	61	129	221	62	131	223	61	129	217
225	0.9	58	123	209	58	123	209	57	121	207
250	1.0	54	114	195	55	117	197	54	114	194

FAN CURVES ACCORDING TO SPEED



ENERGY PERFORMANCE

SUPPLY TEMPERATURE		NET AIR FLOW			POWER CONSUMED WATTS	SENSIBLE RECOVERY EFFICIENCY	ADJUSTED SENSIBLE RECOVERY EFFICIENCY	APPARENT SENSIBLE EFFECTIVENESS*	LATENT RECOVERY/MOISTURE TRANSFER
°C	°F	L/S	CFM	M ³ /H					
HEATING									
0	32	23	49	83	22	76	80	83	0
0	32	30	64	109	25	75	78	81	0
0	32	39	83	139	32	73	76	78	0
-25	-13	30	64	109	40	64	67	82	0

- SPEED RANGE 1: 85 TO 157* CFM
- SPEED RANGE 2: 65 TO 157* CFM
- SPEED RANGE 3: 55 TO 125* CFM (FACTORY SET)
- SPEED RANGE 4: 40 TO 125* CFM
- SPEED RANGE 5: 40 TO 80* CFM

*MAXIMUM SPEED AT 0.4 IN. W.G.

*Data not certified by HVI.

NOTE: All specifications are subject to change without notice.

SPECIFICATIONS

- Model: E15 ECM HRV
- Part Number: 43901
- Total Assembled Weight (including polypropylene core): 52.4 lb. (23.8 kg)
- Oval shaped ports; fit 6" round ducts
- Drains: 1/2" (1.2 cm) fittings with 10 ft (3 m) PVC drain
- Core Filters: 2 washable Merv 9 filters, 9.2" x 14.25" x 0.38" (23.4 cm x 36.2 cm x 1 cm)
- Insulation: Expanded polystyrene
- Mounting: Suspension by chains and springs
- Supply and Exhaust Blower Motors: 2 ECM motors
 - Protection type: Thermally protected
 - Insulation class: B
- Speed Control on Unit:
 - Low speed and high speed
 - Other modes available with Altitude or Deco-Touch main control
- Heat Recovery Core:
 - Heat Exchange Surface Area: 110 ft.² (10.2 m²)
 - Type: Crossflow
 - Material: Polypropylene
- Housing: Pre-painted steel
- Unit Electrical Characteristics:

Volts	Frequency	Amperes	Watts
120	60 Hz	1.3	98

Project:	REMARKS
Location:	
Part no.: 43901	
Qty.:	
Submitted by: _____ Date: _____	



Residential Products Group, 550 Lemire Blvd., Drummondville, Qc, Canada J2C 7W9 - Tel.: 1-800-567-3855 Fax: 1-800-567-1715



www.venmar.ca

AVSE15ECMHRVd191122