



CHIMNEY RANGE HOODS MODELS VJ51030SS AND VJ51036SS

⚠ INTENDED FOR DOMESTIC COOKING ONLY ⚠

READ AND SAVE THESE INSTRUCTIONS

INSTALLER: LEAVE THIS MANUAL WITH HOMEOWNER.
HOMEOWNER: USE AND CARE INFORMATION ON PAGES 8 AND 9.

Venmar Ventilation ULC, 550 Lemire Blvd., Drummondville QC J2C 7W9 1-800-567-3855

REGISTER YOUR PRODUCT ONLINE AT: www.bnv.ca

For additional information - visit www.venmar.ca

WARNING

TO REDUCE THE RISK OF FIRE, ELECTRIC SHOCK OR INJURY TO PERSONS, OBSERVE THE FOLLOWING:

1. Use this unit only in the manner intended by the manufacturer. If you have questions, contact the manufacturer at the address or telephone number listed in the warranty.
2. Before servicing or cleaning unit, switch power off at service panel and lock service disconnecting means to prevent power from being switched on accidentally. When the service disconnecting means cannot be locked, securely fasten a prominent warning device, such as a tag, to the service panel.
3. Installation work and electrical wiring must be done by qualified personnel in accordance with all applicable codes and standards, including fire-rated construction codes and standards.
4. Sufficient air is needed for proper combustion and exhausting of gases through the flue (chimney) of fuel burning equipment to prevent backdrafting. Follow the heating equipment manufacturer's guidelines and safety standards such as those published by the National Fire Protection Association (NFPA) and the American Society for Heating, Refrigeration and Air Conditioning Engineers (ASHRAE) and the local code authorities.
5. When cutting or drilling into wall or ceiling, do not damage electrical wiring and other hidden utilities.
6. Ducted fans must always be vented to the outdoors.
7. Do not use this unit with any solid-state speed control device.
8. To reduce the risk of fire, use only metal ductwork.
9. This unit must be grounded.
10. To provide protection against electric shock, connect to properly grounded outlets only.
11. When applicable local regulations comprise more restrictive installation and/or certification requirements, the aforementioned requirements prevail on those of this document and the installer agrees to conform to these at his own expense.

TO REDUCE THE RISK OF A RANGE TOP GREASE FIRE:

- a) Never leave surface units unattended at high settings. Boilovers cause smoking and greasy spillovers that may ignite. Heat oils slowly on low or medium settings.
- b) Always turn hood ON when cooking at high heat or when flambeing food (i.e.: Crêpes Suzette, Cherries Jubilee, Peppercorn Beef Flambé).
- c) Clean ventilating fans frequently. Grease should not be allowed to accumulate on fan, filters or in exhaust ducts.
- d) Use proper pan size. Always use cookware appropriate for the size of the surface element.

WARNING

TO REDUCE THE RISK OF INJURY TO PERSONS IN THE EVENT OF A RANGE TOP GREASE FIRE, OBSERVE THE FOLLOWING*:

1. SMOTHER FLAMES with a close-fitting lid, cookie sheet or metal tray, then turn off the burner. BE CAREFUL TO PREVENT BURNS. IF THE FLAMES DO NOT GO OUT IMMEDIATELY, EVACUATE AND CALL THE FIRE DEPARTMENT.
2. NEVER PICK UP A FLAMING PAN — You may be burned.
3. DO NOT USE WATER, including wet dishcloths or towels — This could cause a violent steam explosion.
4. Use an extinguisher ONLY if:
 - A. You own a Class ABC extinguisher and you know how to operate it.
 - B. The fire is small and contained in the area where it started.
 - C. The fire department has been called.
 - D. You can fight the fire with your back to an exit.

* Based on "Kitchen Fire Safety Tips" published by NFPA.

CAUTION

1. For indoor use only.
2. For general ventilating use only. Do not use to exhaust hazardous or explosive materials and vapors.
3. To avoid motor bearing damage and noisy and/or unbalanced impellers, keep drywall spray, construction dust, etc. off power unit.
4. Your hood motor has a thermal overload which will automatically shut off the motor if it becomes overheated. The motor will restart when it cools down. If the motor continues to shut off and restart, have the hood serviced.
5. The minimum hood distance above cooktop must not be less than 26". For best capture of cooking impurities, the bottom of the hood should be at a maximum of 30" above cooking surface. **For a gas range**, the bottom of the hood **MUST NOT BE LESS** than 30" above cooktop.
6. Two installers are recommended because of the large size and weight of this unit.
7. To reduce the risk of fire and to properly exhaust air, be sure to duct air outside — Do not exhaust air into spaces within walls or ceiling or into attics, crawl space or garage.
8. Because of the high exhausting capacity of this unit, you should make sure enough air is entering the house to replace exhausted air by opening a window close to or in the kitchen.
9. Please read specification label on product for further information and requirements.

TABLE OF CONTENTS

1. INSTALL DUCTWORK.....	4
2 MEASURE INSTALLATION.....	4
3 PREPARE INSTALLATION.....	5
4. WIRING INSTALLATION.....	5
5. INSTALL HOOD MOUNTING BRACKET.....	6
6. INSTALL UPPER FLUE MOUNTING BRACKET.....	6
7. REMOVE GREASE FILTERS.....	6
8 INSTALL HOOD.....	7
9. REINSTALL GREASE FILTERS.....	8
10. LIGHT BULBS.....	8
11. OPERATION.....	8-9
12. CARE.....	9
13. REPLACEMENT PARTS.....	10

WARRANTY

VENMAR JAZZ RANGE HOOD 1-YEAR LIMITED WARRANTY

Venmar Ventilation ULC warrants to the original consumer purchaser of its products, that such products will be free from defects in materials or workmanship for a period of one (1) year from date of original purchase. This warranty includes in-home service. THERE ARE NO OTHER WARRANTIES, EXPRESS OR IMPLIED, INCLUDING, BUT NOT LIMITED TO, IMPLIED WARRANTIES OF MERCHANTABILITY OR FITNESS FOR A PARTICULAR PURPOSE. VENMAR VENTILATION ULC WILL NOT BE HELD RESPONSIBLE FOR ANY CLAIMS OVER THE ORIGINAL PURCHASE PRICE OF A **VENMAR JAZZ RANGE HOOD**, NOR HELD RESPONSIBLE FOR SUBSEQUENT DAMAGE OR INCIDENT.

During this one-year period, Venmar Ventilation ULC will, at its option, repair or replace, without charge, any product or part which is found to be defective under normal use and service. THIS WARRANTY DOES NOT EXTEND TO BULBS, FUSE, FILTERS, DUCTS, ROOF CAPS, WALL CAPS AND OTHER ACCESSORIES FOR DUCTING. This warranty does not cover a) normal maintenance and service b) any products or parts which have been subject to misuse, negligence, accident, improper maintenance or repairs made by other than Venmar Ventilation ULC, or c) a faulty installation or installation contrary to recommended installation instructions.

Warranty service is to be completed by an authorized Service Center designated by Venmar Ventilation ULC. Where applicable, in-home service will be made available only in areas where a contracted service provider offers service. If in-home service is not available, the product will be repaired or replaced, at Venmar Ventilation ULC's discretion, by the nearest authorized service provider. The unit removal and reinstallation works are under the customer responsibility, and Venmar Ventilation ULC cannot be charged for them.

The duration of any implied warranty is limited to the 1-year period as specified for the express warranty. Some provinces do not allow limitation on how long an implied warranty lasts, so the above limitation may not apply to you. VENMAR VENTILATION ULC OBLIGATION TO REPAIR OR REPLACE AT VENMAR VENTILATION ULC OPTION, SHALL BE THE PURCHASER'S SOLE AND EXCLUSIVE REMEDY UNDER THIS WARRANTY. VENMAR VENTILATION ULC SHALL NOT BE LIABLE FOR INCIDENTAL, CONSEQUENTIAL OR SPECIAL DAMAGES ARISING OUT OF OR IN CONNECTION WITH PRODUCT USE OR PERFORMANCE. SOME PROVINCES DO NOT ALLOW THE EXCLUSION OR LIMITATION OF INCIDENTAL OR CONSEQUENTIAL DAMAGES, SO THE ABOVE LIMITATION OR EXCLUSION MAY NOT APPLY TO YOU.

This warranty gives you specific legal rights and you may also have other rights, which vary from one province to another. This warranty supersedes all prior warranties. To contact Venmar Ventilation ULC Warranty Service call 1-800-567-3855 (in Canada). In order to qualify for a warranty claim, the owner of a Venmar Jazz range hood must have the model and serial number along with a proof of the original purchase date. At the time of requesting service, describe the nature of any defect in the product or part.

Venmar Ventilation ULC, 550 Lemire Blvd., Drummondville, Quebec CANADA J2C 7W9

Tel.: 1-800-567-3855 Fax: 819-475-2660

www.venmar.ca

1. INSTALL DUCTWORK

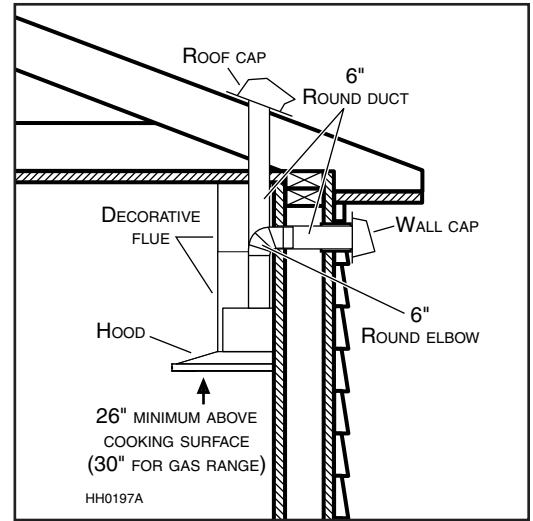
⚠ WARNING

When performing installation, servicing or cleaning the unit, it is recommended to wear safety glasses and gloves.

Plan where and how the ductwork will be installed.

A straight, short duct run will allow the hood to perform most efficiently. Long duct runs, elbows and transitions will reduce the performance of the hood. Use as few of them as possible. Larger ducting may be required for longer duct runs.

Install wall or roof cap. Connect round metal ductwork to cap and work back towards the hood location. Use 2" metal foil duct tape to seal the joints.



2. MEASURE INSTALLATION

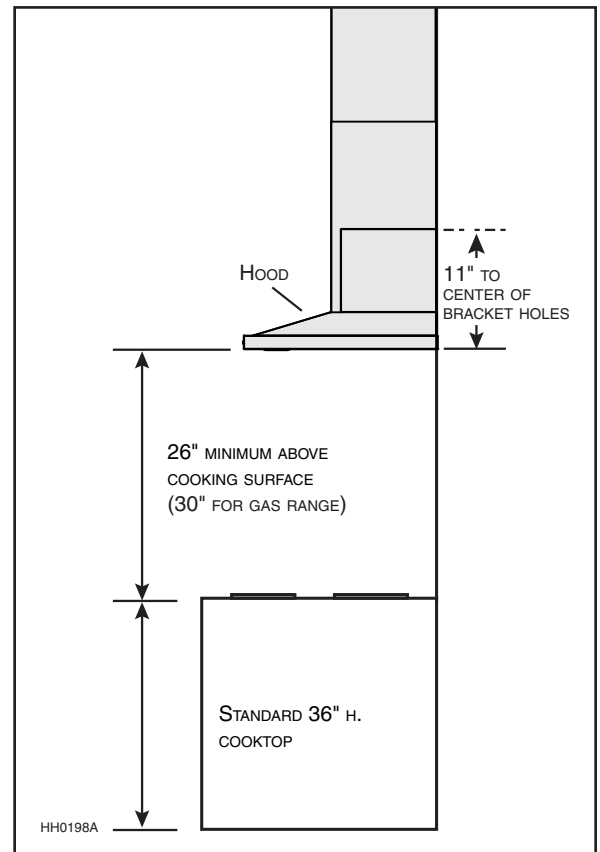
The minimum hood distance above cooktop **MUST NOT BE less than 26"**. A maximum of 30" above cooktop is highly recommended for best capture of cooking impurities.

For a gas range, the bottom of the hood **MUST NOT BE LESS than 30"** above cooking surface.

Distances over 30" are at the installer and users discretion; providing that ceiling height permit.

CEILING HEIGHT	MIN. HOOD DISTANCE ABOVE COOKTOP	MAX. HOOD DISTANCE ABOVE COOKTOP
8 feet	26"	30"
9 feet		30"
10 feet		30"

NOTE: 10-ft. ceilings require a flue extension, part no. 20365 (sold separately).



3. PREPARE INSTALLATION

NOTE: Before proceeding to the installation, check the contents of the box. If items are missing or damaged, contact the retailer.

Make sure that the following items are included:

- Hood
- Micromesh filters (2 for model no. VJ51030SS and 3 for model no. VJ51036SS)
- Decorative flue assembly (lower and upper flues)
- Lower flue mounting bracket
- Upper flue mounting bracket
- Hood mounting bracket
- 6" Round adapter/damper
- Installation instructions
- Parts bag: 2 x no. 8 x 1¼" mounting screws, 7 x no. 8 x 1½" mounting screws, 8 x no. 8 x 7/16" mounting screws, 9 drywall anchors, 2 washers

NOTE: If need be, discard extra screws.

Parts sold separately:

- Ducts, elbows, wall and roof caps.
- Optional flue extension for 10-ft. ceilings model no. 20365.

NOTE: During installation, protect countertop and/or cooktop.

4. WIRING INSTALLATION

⚠ WARNING

Electrical wiring must be done by qualified person(s) in accordance with all applicable codes and standards. This range hood must be properly grounded. Turn off electrical power at service entrance before wiring.

GROUNDING INSTRUCTIONS

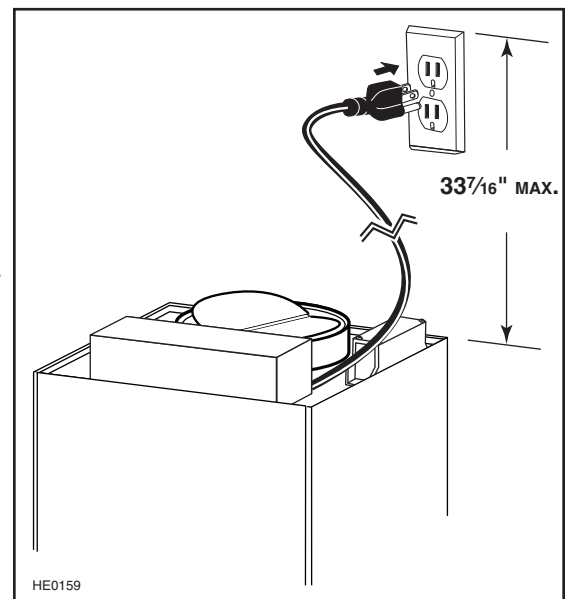
This appliance must be grounded. In the event of an electrical short circuit, grounding reduces the risk of electric shock by providing an escape wire for the electric current. This appliance is equipped with a cord having a grounding wire with a grounding plug. The plug must be plugged into an outlet that is properly installed and grounded.

Set the electrical power supply within the space covered by the decorative flue.

⚠ WARNING

Improper grounding can result in a risk of electric shock. Consult a qualified electrician if the grounding instructions are not completely understood, or if doubt exists as to whether the appliance is properly grounded. Do not use an extension cord. If the power supply cord is too short, have a qualified electrician install an outlet near the appliance.

Position the outlet offset so that the power cord will not interfere with the round duct. Place the outlet at a maximum distance of 33⁷/₁₆" from where the cord exits from the hood (see illustration at right). Make sure this does not interfere with a mounting bracket fastening area or with the decorative flue (where the flue touches the wall).



5. INSTALL HOOD MOUNTING BRACKET

⚠ WARNING

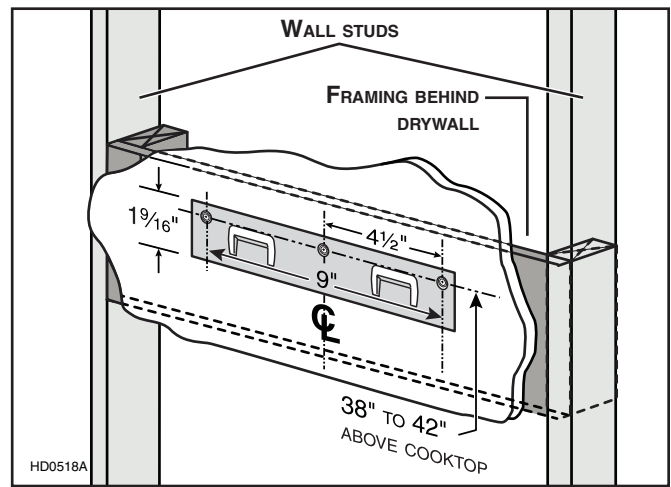
- When cutting or drilling into wall, do not damage electrical wiring and other hidden utilities.
- When building framework, always follow all applicable construction codes and standards.

1. Construct wood wall framing that is flush with surface of wall studs.

Ensure:

- a) The framing is centered over installation location and is sturdy enough to support the weight of the hood.
- b) The height of the framing will allow the mounting bracket to be secured to the framing within the dimensions shown.

2. **After wall surface is finished**, carefully center and level the hood mounting bracket, secure it to wall framing with 3 no. 8 x 1½" mounting screws. Tight the screws completely.



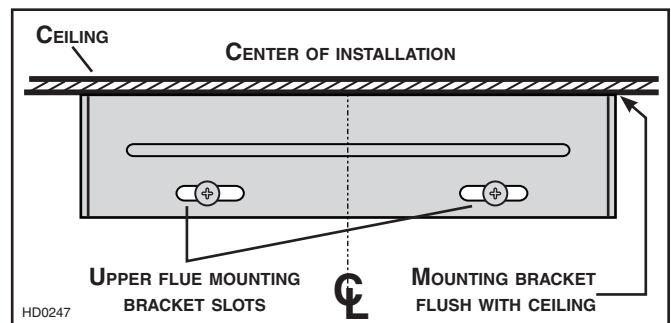
38" = BOTTOM OF HOOD 26" ABOVE COOKTOP
42" = BOTTOM OF HOOD 30" ABOVE COOKTOP

6. INSTALL UPPER FLUE MOUNTING BRACKET

Center the bracket over the hood location and place it flush with the ceiling. Make sure that the slots of the upper flue mounting bracket point down. Use the upper flue mounting bracket as a template to mark the position of its screws.

Drill both screw holes using a 5/16" drill bit. Insert the included drywall anchors into the drilled holes (one per hole).

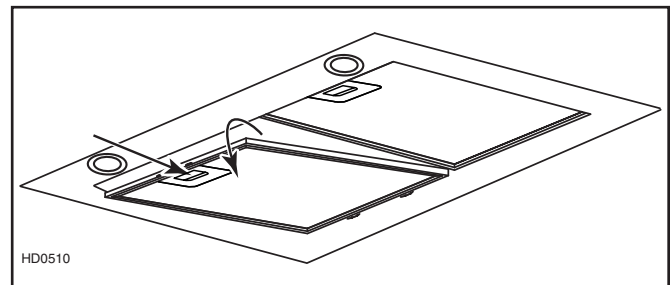
Secure the upper flue mounting bracket to the wall using 2 no. 8 x 1½" mounting screws. Make sure that the bracket is tight against the wall.



7. REMOVE GREASE FILTERS

Lay the back side of the hood flat on a table. Use a piece of cardboard to avoid damaging the table or the hood.

To remove the grease filters, press down the metal latch tab and tilt each filter downward. Set filters aside.



8. INSTALL HOOD

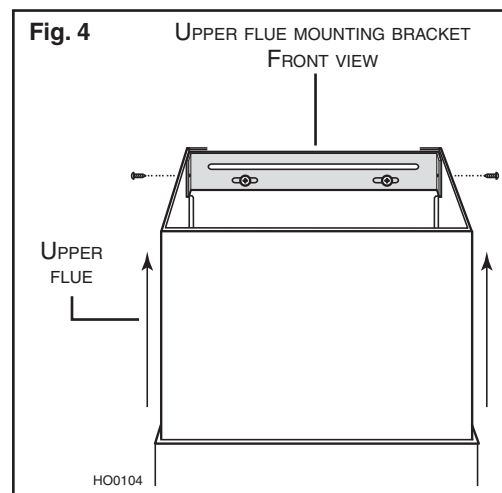
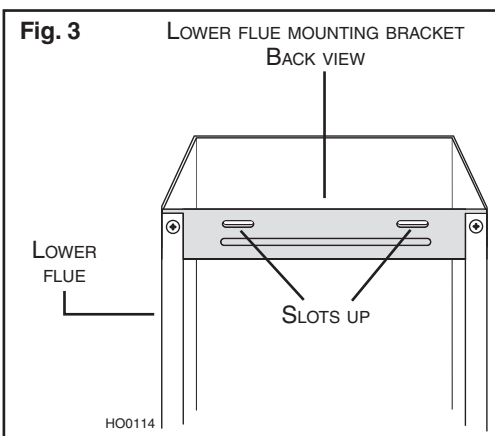
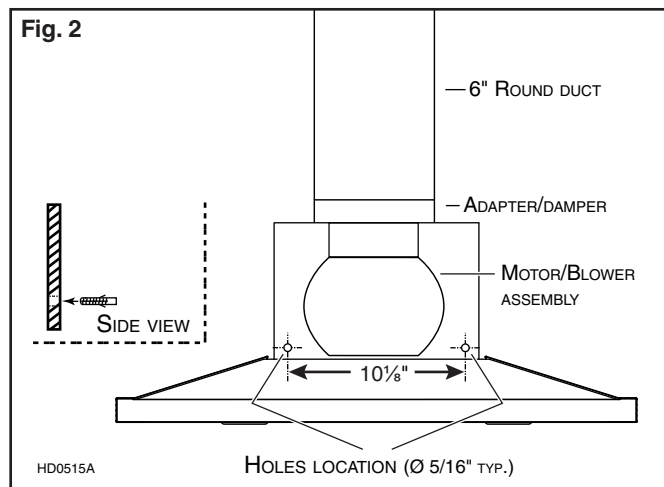
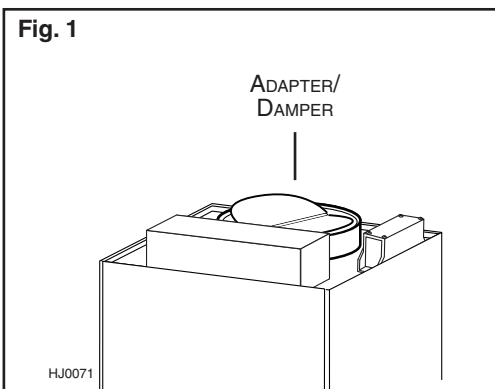
⚠ WARNING

Be careful when installing the decorative flue and hood, they may have sharp edges.

CAUTION

DO NOT REMOVE the protective plastic film covering the decorative flue (upper and lower) and the hood yet.

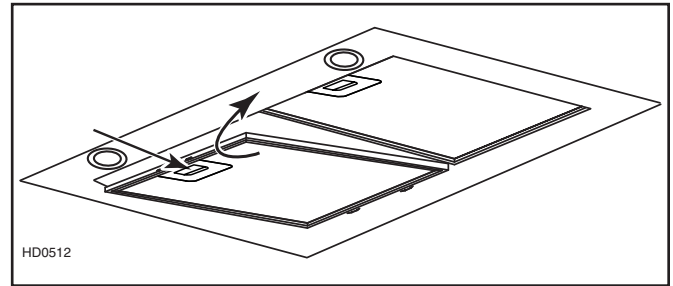
1. Install 6" round adapter/damper on top of the hood using 4 no. 8 x 7/16" mounting screws (**Fig. 1**).
2. Align the hood and center it above the hood mounting bracket. Gently lower the hood until it securely engages the bracket.
3. With the hood hanging in place, drill through both holes located in the inside lower back of hood (**Fig. 2**) using a 5/16" drill bit. Insert the included drywall anchors into the drilled holes (one for each hole). Insert 2 no. 8 x 1 1/4" mounting screws in 2 washers (one per washer), then insert into the drywall anchors. Verify that the hood is centered and leveled. Tighten all screws completely.
4. Remove protective plastic film covering the lower flue only.
5. If possible (when space is sufficient): Install the lower flue bracket to its flue using 2 no. 8 x 7/16" mounting screws, ensure that the slots point up (**Fig. 3**).
6. Carefully place both flues into the recessed area of hood top.
NOTE: Slightly slide up the upper flue to avoid damaging it.
7. Slide a 6" steel round duct over the adapter/damper (**Fig. 2**). Use metal foil duct tape to seal the joint.
8. Plug hood power cord into the outlet.
9. Slide up the upper flue until it is aligned with its mounting bracket. The bracket must be inside the flue. Secure the upper flue to its bracket using 2 no. 8 x 7/16" mounting screws (**Fig. 4**).
10. Remove protective plastic film covering the upper flue and the hood.



NOTE: Both lower and upper flues are included with the hood, but for a 10 foot ceiling, discard the provided upper flue and use the optional extension flue, part no. 20365 (sold separately).

9. REINSTALL GREASE FILTERS

To reinstall the grease filters, align rear filter tabs with slots in the hood. Press down the metal latch tab, push each filter into position and release. Make sure filters are securely engaged after installation.



10. LIGHT BULBS

⚠ WARNING

In order to prevent the risk of personal injury, the halogen lamps must cool down before removing them.

This range hood requires two UL approved halogen bulbs (Type JC, 12 V, 20 W maximum, G-4 Base) (included).

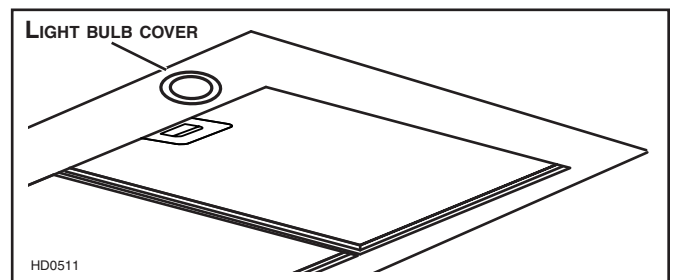
To replace bulbs:

1. Turn the rim counterclockwise to disengage the light bulb cover.

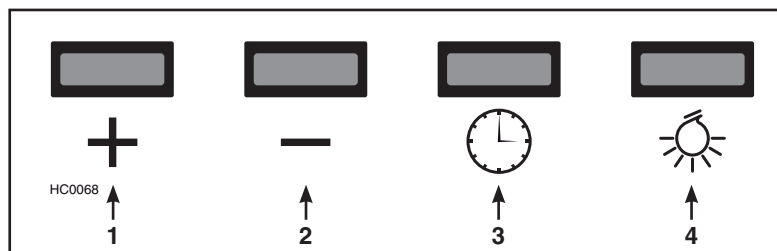
CAUTION

Do not touch replacement bulb with bare hands!

2. Replace with Type JC, 12 V, 20 W maximum, G-4 Base halogen bulb.
3. Turn the rim clockwise to reinstall the light bulb cover.



11. OPERATION



- 1) Blower ON/Speed increase push button
- 2) Blower OFF/Speed decrease push button

- 3) Delay setting push button
- 4) Lighting push button

Always turn your hood on before you begin cooking to establish an air flow in the kitchen. Let the blower run for a few minutes to clear the air after you turn off the range. This will help keep the whole kitchen cleaner and brighter.

NOTE: When pressed, the chosen push button beeps and its indicator lights up blue.

11. OPERATION (CONT'D)

1. BLOWER ON/SPEED INCREASE PUSH BUTTON (DOUBLE FUNCTION PUSH BUTTON):

Press the Blower ON/Speed increase push button to activate the blower at low speed. Press twice for medium speed and once more for high speed.

NOTE: When blower is turned on, 100% of power level is activated during 1 to 2 seconds acting as a "kick-start." It will then operate at the desired setting.

2. BLOWER OFF/SPEED DECREASE PUSH BUTTON (DOUBLE FUNCTION PUSH BUTTON):

Press the Blower OFF/Speed decrease push button to lower the blower speed. If need be, press until the blower stops.

3. DELAY SETTING PUSH BUTTON:

To set delay, press the Delay setting push button when blower and/or lights are in use. Blower and/or lights will continue to operate for 10 minutes and then will stop automatically (the delay setting push button indicator will blink during the 10 minutes to indicate that the delay has been activated). To cancel delay function, press the Delay setting push button again, the blower and/or lights will continue to operate and won't stop until Blower OFF/Speed decrease push button and/or Lighting push button is pressed.

4. LIGHTING PUSH BUTTON:

Press the Lighting push button once to turn the lights on. Press once more to turn the lights off.

12. CARE

Grease Filters

Grease filters should be cleaned monthly. Remove grease filters by pressing down the metal latch tab. This will disengage the filter from the hood. Tilt the filter downward and remove. Use a warm dishwashing detergent solution to clean the filters. Let them dry and reinstall them.

Clean all-metal filters using a non-phosphate detergent. Discoloration of the filters may occur if using phosphate detergent or as a result of local water conditions — but this will not affect filters performance. This discoloration is not covered by the warranty.

Blower Cleaning

Remove filters in order to access the blower. Vacuum blower to clean. Do not immerse in water.

Hood Cleaning

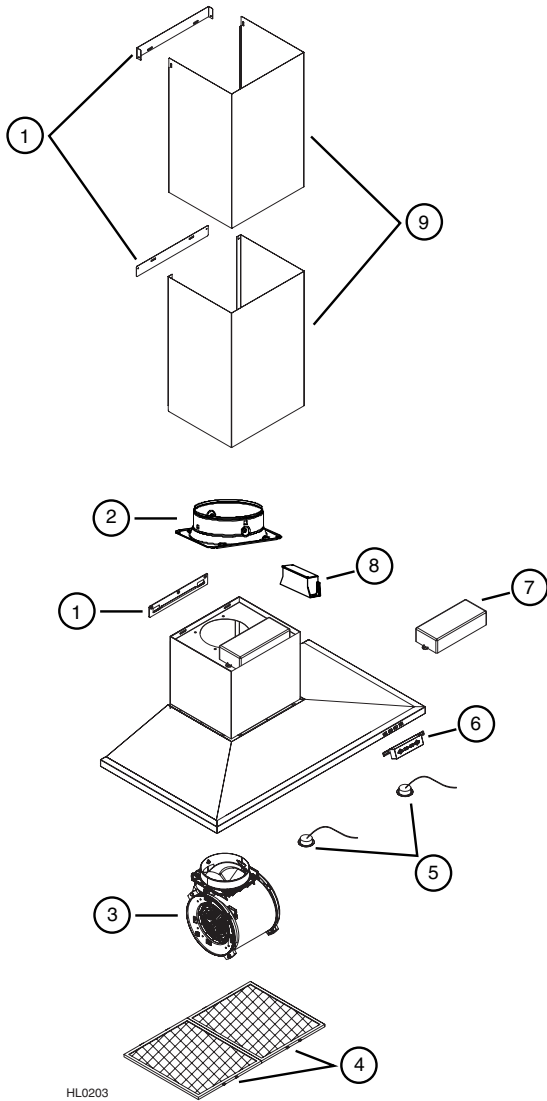
Stainless Steel Cleaning:

Avoid when choosing a detergent:

Do:	Don't:
<ul style="list-style-type: none">Regularly wash with clean cloth or rag soaked with warm water and mild soap or liquid dish detergent.Always clean in the direction of original polish lines.Always rinse well with clear water (2 or 3 times) after cleaning. Wipe dry completely.You may also use a specialized household stainless steel cleaner.	<ul style="list-style-type: none">Use any steel or stainless steel wool or any other scrapers to remove stubborn dirt.Use any harsh or abrasive cleansers.Allow dirt to accumulate.Let plaster dust or any other construction residues reach the hood. During construction/renovation, cover the hood to make sure no dust sticks to stainless steel surface.

- Any cleaners that contain **bleach** will attack stainless steel.
- Any products containing: **chloride, fluoride, iodide, bromide** will deteriorate surfaces rapidly.
- Any combustible products used for cleaning such as **acetone, alcohol, ether, benzol**, etc., are highly explosive and should never be used close to a range.

13. REPLACEMENT PARTS



REPLACEMENT PARTS AND REPAIRS

In order to ensure your ventilation unit remains in good working condition, you must use Venmar Ventilation ULC genuine replacement parts only. Venmar Ventilation ULC genuine replacement parts are specially designed for each unit and are manufactured to comply with all the applicable certification standards and maintain a high standard of safety. Any third party replacement part used may cause serious damage and drastically reduce the performance level of your unit, which will result in premature failing. Venmar Ventilation ULC also recommends to contact a Venmar certified service depot for all replacement parts and repairs.

KEY NO.	PART NO.	DESCRIPTION	QUANTITY (HOOD WIDTH)	
			30"	36"
1	08486	BRACKET KIT (SET OF 3)	1	1
2	SV08487	ADAPTER/DAMPER	1	1
3	07243	MOTOR/BLOWER ASSEMBLY	1	1
4	20381	MICROMESH FILTERS (SET OF 2)	1	-
	20382	MICROMESH FILTERS (SET OF 3)	-	1
5	07244	LIGHT ASSEMBLY (SET OF 2)	1	1
6	20369	CONTROL INTERFACE	1	1
7	20372	PC BOARD	1	1
8	09072	TRANSFORMER	1	1
9	20376	DECORATIVE UPPER AND LOWER FLUES	1	1
*	SV20601	HALOGEN BULBS TYPE JC, 12 V, 20 W, G-4 BASE (SET OF 2)	1	1
*	20365	FLUE EXTENSION FOR 10-FT. CEILINGS	1	1
*	20800	INSTALLATION MANUAL	1	1
*	07242	PARTS BAG INCLUDING: 2 x NO. 8 x 1¼" MOUNTING SCREWS, 7 x NO. 8 x 1½" MOUNTING SCREWS, 8 x NO. 8 x 7/16" MOUNTING SCREWS, 9 DRYWALL ANCHORS, 2 WASHERS	1	1

* NOT SHOWN.