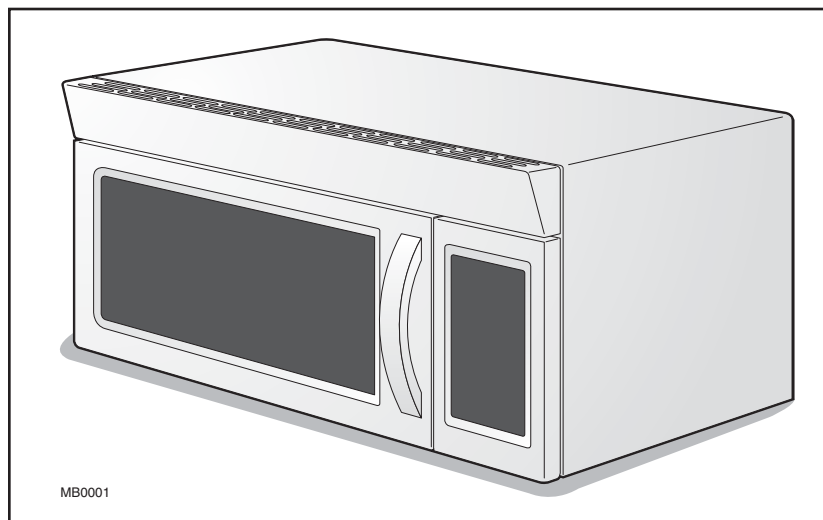


INSTALLATION INSTRUCTIONS



MODELS VJ10430SS & VJ10430WH

⚠ INTENDED FOR DOMESTIC COOKING ONLY ⚠

READ AND SAVE THESE INSTRUCTIONS

INSTALLER: LEAVE THIS GUIDE WITH HOMEOWNER.

Venmar Ventilation inc., 550 Lemire Blvd., Drummondville QC J2C 7W9 1-800-567-3855

For additional information - visit www.venmar.ca

IMPORTANT SAFETY INSTRUCTIONS

⚠ WARNING

TO REDUCE THE RISK OF FIRE, ELECTRIC SHOCK OR INJURY TO PERSONS, OBSERVE THE FOLLOWING:

1. Use this unit only in the manner intended by the manufacturer. If you have questions, contact the manufacturer at the address or telephone number listed in the warranty.
2. Before servicing or cleaning unit, switch power off at service panel and lock service disconnecting means to prevent power from being switched on accidentally. When the service disconnecting means cannot be locked, securely fasten a prominent warning device, such as a tag, to the service panel.
3. Installation work and electrical wiring must be done by qualified personnel in accordance with all applicable codes and standards, including fire-rated construction codes and standards.
4. Sufficient air is needed for proper combustion and exhausting of gases through the flue (chimney) of fuel burning equipment to prevent backdrafting. Follow the heating equipment manufacturer's guidelines and safety standards such as those published by the National Fire Protection Association (NFPA) and the American Society for Heating, Refrigeration and Air Conditioning Engineers (ASHRAE) and the local code authorities.
5. When cutting or drilling into wall or ceiling, do not damage electrical wiring and other hidden utilities.
6. Ducted fans must always be vented to the outdoors.
7. Do not use this unit with any other solid-state speed control device.
8. To reduce the risk of fire, use only metal ductwork.
9. The mounting surface must be capable of supporting the cabinet load, in addition to the added weight of this 46-pound product, plus additional oven loads of up to 50 pounds for a total weight of 96 pounds.
10. This product cannot be installed in cabinet arrangements such as an island or a peninsula. It must be mounted to BOTH a top cabinet AND the wall behind the product.
11. Do not mount over a sink.
12. This unit must be grounded. To provide protection against electric shock, connect to properly grounded outlets only.
13. When applicable local regulations comprise more restrictive installation and/or certification requirements, the aforementioned requirements prevail on those of this document and the installer agrees to conform to these at his own expenses.

TO REDUCE THE RISK OF A RANGE TOP GREASE FIRE:

- a) Never leave surface units unattended at high settings. Boilovers cause smoking and greasy spillovers that may ignite. Heat oils slowly on low or medium settings.
- b) Always turn hood ON when cooking at high heat or when flambing food (i.e.: Crêpes Suzette, Cherries Jubilee, Peppercorn Beef Flambé).
- c) Clean ventilating fans frequently. Grease should not be allowed to accumulate on fan or filter.
- d) Use proper pan size. Always use cookware appropriate for the size of the surface element.

⚠ WARNING

TO REDUCE THE RISK OF INJURY TO PERSONS IN THE EVENT OF A RANGE TOP GREASE FIRE, OBSERVE THE FOLLOWING*:

1. SMOTHER FLAMES with a close-fitting lid, cookie sheet or metal tray, then turn off the burner. BE CAREFUL TO PREVENT BURNS. IF THE FLAMES DO NOT GO OUT IMMEDIATELY, EVACUATE AND CALL THE FIRE DEPARTMENT.
2. NEVER PICK UP A FLAMING PAN — You may be burned.
3. DO NOT USE WATER, including wet dishcloths or towels — This could cause a violent steam explosion.
4. Use an extinguisher ONLY if:
 - A. You own a Class ABC extinguisher and you know how to operate it.
 - B. The fire is small and contained in the area where it started.
 - C. The fire department has been called.
 - D. You can fight the fire with your back to an exit.

*Based on "Kitchen Fire Safety Tips" published by NFPA.

CAUTION

1. For indoor use only.
2. For general ventilating use only. Do not use to exhaust hazardous or explosive materials and vapors.
3. To avoid motor bearing damage and noisy and/or unbalanced impellers, keep drywall spray, construction dust, etc. off power unit.
4. Your hood motor has a thermal overload which will automatically shut off the motor if it becomes overheated. The motor will restart when it cools down. If the motor continues to shut off and restart, have the hood serviced.
5. Ensure the product meets the minimum ventilation requirements specified by the range manufacturer.
6. Two installers are recommended because of the weight of this unit.
7. To reduce the risk of fire, do not exhaust air into spaces within walls, ceiling, attics, crawl space or garage.
8. This product is equipped with a thermostat which may start blower automatically. To reduce the risk of injury and to prevent power from being switched on accidentally, unplug the unit power cord or switch power off at service panel and lock or tag service panel.
9. Because of the high exhausting capacity of this unit, you should make sure enough air is entering the house to replace exhausted air by opening a window close to or in the kitchen.
10. Please read specification label on product for further information and requirements.

IMPORTANT SAFETY INSTRUCTIONS FOR INSTALLATION OVER A GAS RANGE

CAUTION (GAS RANGE)

1. The minimum distances given in this installation guide must be observed in order to ensure safe operation.
2. The microwave oven should only be installed in a well ventilated area.
3. The unit must NOT be installed in recirculation (non-ducted).
4. This microwave oven is intended for use over gas range of 50,000 BTU/hr. maximum.
5. Ensure the product meets the minimum ventilation requirements specified by the range manufacturer.
6. The microwave oven should only be installed as illustrated below, while maintaining the required safety distances. Do not install the microwave oven between two tall cabinets.

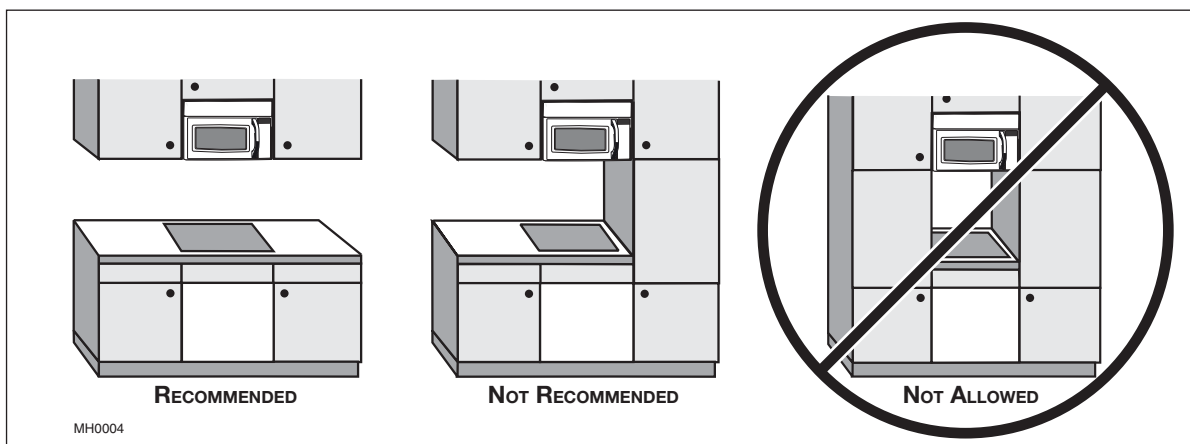


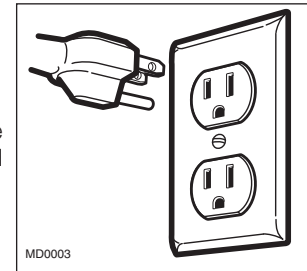
TABLE OF CONTENTS

<p>1. GROUNDING INSTRUCTIONS 4</p> <p>2. ELECTRICAL REQUIREMENTS 4</p> <p>3. HOOD EXHAUST 5</p> <p style="padding-left: 20px;">3.1 Vertical Discharge 5</p> <p style="padding-left: 20px;">3.2 Horizontal Discharge..... 5</p> <p>4. PREPARE THE INSTALLATION 7</p> <p style="padding-left: 20px;">4.1 Included Parts 7</p> <p style="padding-left: 20px;">4.2 Needed Tools 7</p> <p style="padding-left: 20px;">4.3 Mounting Space 8</p> <p>5. PLACEMENT OF THE MOUNTING PLATE .. 8</p> <p style="padding-left: 20px;">5.1 Removing Microwave Oven from Carton/ Removing Mounting Plate 8</p> <p style="padding-left: 20px;">5.2 Finding the Wall Studs 9</p> <p style="padding-left: 20px;">5.3 Determining Mounting Plate Location..... 9</p> <p style="padding-left: 20px;">5.4 Aligning the Mounting Plate 10</p> <p>6. SELECT INSTALLATION TYPE 11</p> <p>7. VERTICAL DISCHARGE 11</p> <p style="padding-left: 20px;">7.1 Attach Mounting Plate to the Wall 12</p> <p style="padding-left: 20px;">7.2 Prepare Top Cabinet 12</p> <p style="padding-left: 20px;">7.3 Install Adapter/Damper 12</p> <p style="padding-left: 20px;">7.4 Mount the Microwave Oven 13</p> <p style="padding-left: 20px;">7.5 Connecting Ductwork..... 14</p>	<p>8. NON-DUCTED (RECIRCULATION)..... 14</p> <p style="padding-left: 20px;">8.1 Attach Mounting Plate to the Wall 15</p> <p style="padding-left: 20px;">8.2 Prepare Top Cabinet 15</p> <p style="padding-left: 20px;">8.3 Adjust Blower 15</p> <p style="padding-left: 20px;">8.4 Mount the Microwave Oven 16</p> <p style="padding-left: 20px;">8.5 Install the Charcoal Filter 18</p> <p>9. HORIZONTAL DISCHARGE 18</p> <p style="padding-left: 20px;">9.1 Prepare Rear Wall 18</p> <p style="padding-left: 20px;">9.2 Attach Mounting Plate to the Wall 19</p> <p style="padding-left: 20px;">9.3 Prepare Top Cabinet 19</p> <p style="padding-left: 20px;">9.4 Adjust Blower 19</p> <p style="padding-left: 20px;">9.5 Mount the Microwave Oven 21</p> <p>10. BEFORE USING THE MICROWAVE OVEN 22</p>
--	---

1. GROUNDING INSTRUCTIONS

This appliance requires a three-prong grounded outlet. In the event of an electrical short circuit, grounding reduces the risk of electric shock by providing an escape wire for the electrical current. This appliance is equipped with a power cord having a grounding wire with a grounding plug. The plug must be plugged into an outlet that is properly installed and grounded. No adapter should be used with this appliance. Plug the three-prong power cord into a properly grounded outlet of standard 115-120 voltage, 60 Hz. Your oven should be the only appliance on this circuit.

Where a standard two-prong wall receptacle is encountered, it is very important to have it replaced with a properly grounded three-prong wall receptacle, installed by a qualified electrician.



⚠ WARNING

Improper use of the grounding plug can result in a risk of electric shock. Consult a qualified electrician if the grounding instructions are not completely understood, or if doubt exists as to whether the appliance is properly grounded. Do not use an extension cord. If the power supply cord is too short, have a qualified electrician install an outlet near the appliance, in accordance with all applicable codes and standards. Do not cut, deform or remove the third (ground) prong from the power cord under any circumstances. Connect the unit only to a 20 A dedicated circuit.

2. ELECTRICAL REQUIREMENTS

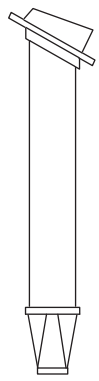
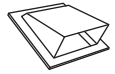


Product rating is 120 volts AC, 60 Hertz, 13.5 amps and 1.5 kilowatts. This product must be connected to a supply circuit of the proper voltage and frequency. Wire size must conform to the requirements of the National Electrical Code or the prevailing local code for this power rating. The power supply cord and plug should be brought to a separate 20-ampere branch circuit single grounded outlet. The outlet box should be located in the cabinet above the microwave oven. The outlet box and supply circuit should be installed by a qualified electrician and conform to the National Electrical Code or the prevailing local code.

3. HOOD EXHAUST

NOTE: Read these next two pages only if you plan to vent your exhaust to the outside. To recirculate the air back into the room, proceed to page 14.

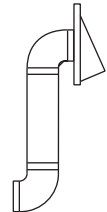

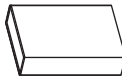
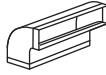
3.1 VERTICAL DISCHARGE (EXAMPLE ONLY)

The following chart describes an example of one possible ductwork installation.

 MR0002	DUCT PIECES		EQUIVALENT LENGTH	X	NUMBER USED	=	EQUIVALENT LENGTH
		Roof cap	24 ft.	x	(1)	=	24 ft.
		12 Ft. Straight duct (6" round)	12 ft.	x	(1)	=	12 ft.
		Rectangular-to-Round Transition adapter*	5 ft.	x	(1)	=	5 ft.
Equivalent lengths of duct pieces are based on actual tests and reflect requirements for good venting performance with any vent hood.					TOTAL LENGTH	=	41 ft.
*If a rectangular-to-round transition adapter is used, the bottom corners of the damper will have to be cut to fit, using a tin snips, in order to allow free movement of the damper.							

3.2 HORIZONTAL DISCHARGE (EXAMPLE ONLY)

The following chart describes an example of one possible ductwork installation.

 MR0003	DUCT PIECES		EQUIVALENT LENGTH	X	NUMBER USED	=	EQUIVALENT LENGTH
		Wall cap	40 ft.	x	(1)	=	40 ft.
		3 Ft. Straight duct (3¼" x 10" rectangular)	3 ft.	x	(1)	=	3 ft.
		90° Elbow	10 ft.	x	(2)	=	20 ft.
Equivalent lengths of duct pieces are based on actual tests and reflect requirements for good venting performance with any vent hood.					TOTAL LENGTH	=	63 ft.
NOTE: For back exhaust, care should be taken to align exhaust with space between studs, or wall should be prepared at the time it is constructed by leaving enough space between the wall studs to accommodate exhaust.							

3. HOOD EXHAUST (CONT'D)

Outside ventilation requires a HOOD EXHAUST DUCT. Read the following carefully.

NOTE: It is important that venting be installed using the most direct route and with as few elbows as possible. This ensures clear venting of exhaust and helps prevent blockages. **Also, ensure damper swings freely and nothing is blocking the ducts.**

EXHAUST CONNECTION:

The hood exhaust has been designed to mate with a standard 3¼" x 10" rectangular duct.





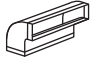
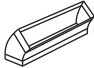
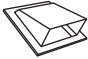
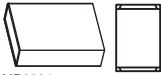
If a round duct is required, a rectangular-to-round transition adapter must be used. **Do not use less than a 6" diameter duct.**

MAXIMUM DUCT LENGTH:

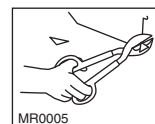
For satisfactory air movement, the total duct length of 3¼" x 10" rectangular or 6" diameter round duct should not exceed 140 equivalent feet.

ELBOWS, TRANSITIONS, WALL AND ROOF CAPS, ETC.

These duct pieces present additional resistance to airflow and are equivalent to a section of straight duct which is longer than their actual physical size. When calculating the total duct length, add the equivalent lengths of all transitions and adapters plus the length of all straight duct sections. The chart below shows you how to calculate total equivalent ductwork length using the approximate feet of equivalent length of some typical ducts.

DUCT PIECES		EQUIVALENT LENGTH	X	NUMBER USED	=	EQUIVALENT LENGTH
	Rectangular-to-round transition adapter*	5 ft.	x	()	=	ft.
	Wall cap	40 ft.	x	()	=	ft.
	90° Elbow	10 ft.	x	()	=	ft.
	45° Elbow	5 ft.	x	()	=	ft.
	90° Elbow	25 ft.	x	()	=	ft.
	45° Elbow	5 ft.	x	()	=	ft.
	Roof cap	24 ft.	x	()	=	ft.
 MR0004	Straight duct 3¼" x 10" rectangular or 6" round	1 ft.	x	()	=	ft.
				TOTAL DUCTWORK	=	ft.

*If a rectangular-to-round transition adapter is used, the bottom corners of the damper will have to be cut to fit, using a tin snips, in order to allow free movement of the damper.



Equivalent lengths of duct pieces are based on actual tests and reflect requirements for good venting performance with any vent hood.

4. PREPARE THE INSTALLATION

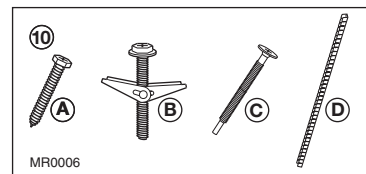
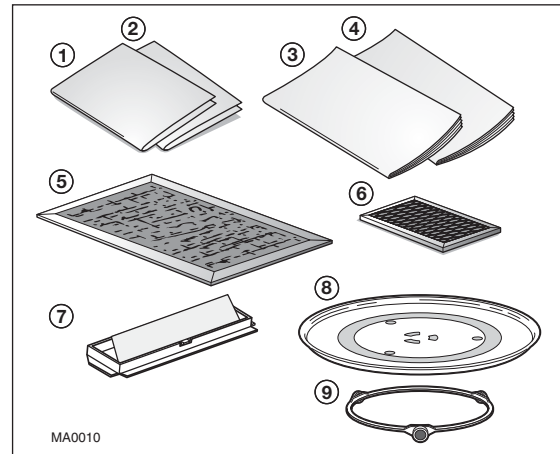
WARNING

When performing installation, servicing or cleaning the unit, it is recommended to wear safety glasses and gloves.

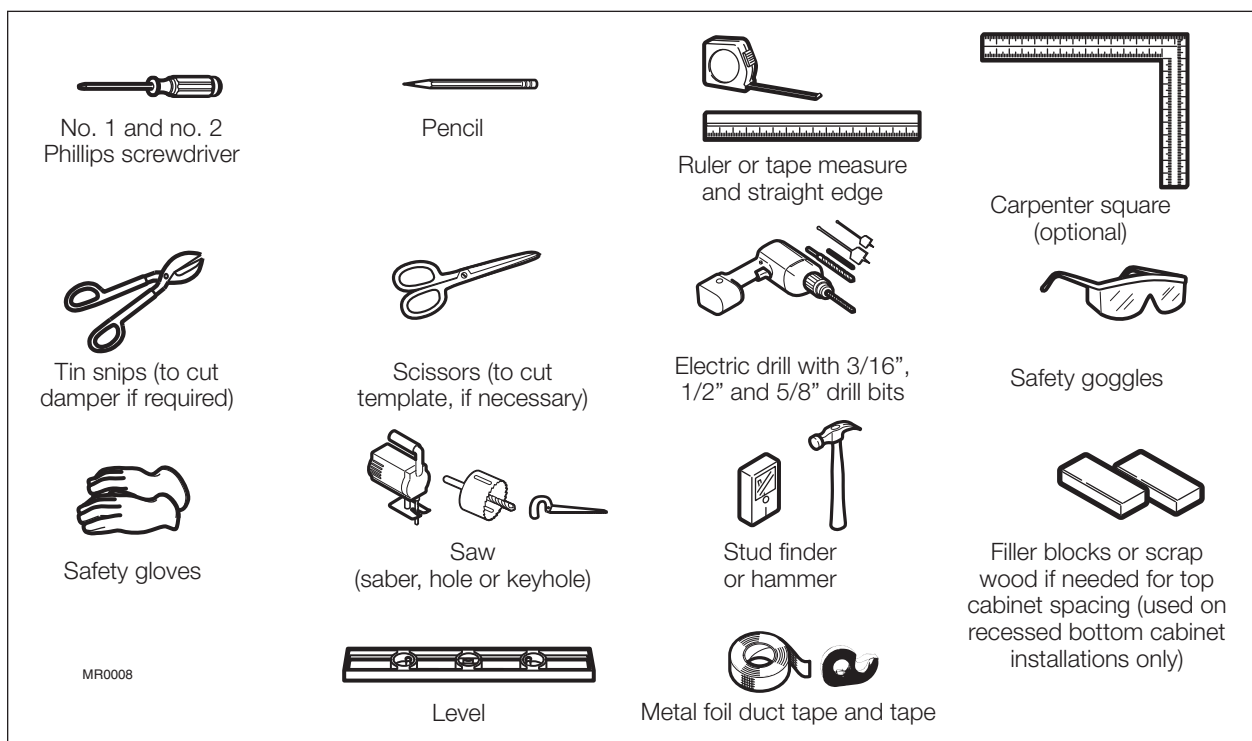
4.1 INCLUDED PARTS

Ensure that the following parts are included:

NO.	DESCRIPTION	PART NO.	QTY.
1	Top cabinet template	08824	1
2	Rear wall template	08825	1
3	Installation guide	08816	1
4	User guide	08817	1
5	Grease filter	08821	1
6	Charcoal filter	08820	1
7	Adapter/Damper	08822	1
8	Turntable	08818	1
9	Roller guide ring	08819	1
10	Parts bag including: 1 Wood screw 1/4" x 2" (A), 2 Toggle bolts 3/16" x 3" (B), 2 Self-aligning machine screws 1/4"-28 x 3/4" (C), 1 Nylon strip for metal cabinets (D) (to use as grommet)	08823	1



4.2 NEEDED TOOLS



4. PREPARE THE INSTALLATION (CONT'D)

4.3 MOUNTING SPACE

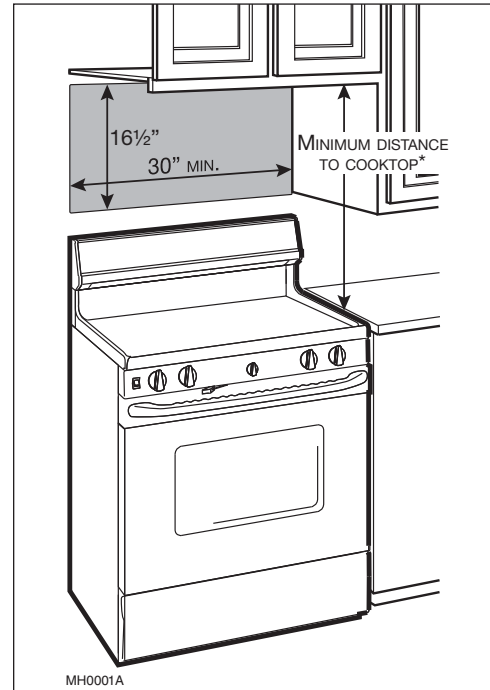
⚠ WARNING

The mounting surface must be able to support the cabinet load, in addition to the added weight of this 46 lb. product, plus additional oven loads of up to 50 lb. for a total weight of 96 lb.

- The space between the cabinets must be at least 30" wide and free of obstructions.
- This microwave oven is for installation over ranges up to 36" wide.
- If you are going to vent your microwave oven to the outside, see "Select Installation Type" Section on page 11 for exhaust duct preparation.
- When installing the microwave oven, be careful to follow the instructions on the top cabinet template for power cord clearance.

*Electric range: 30"

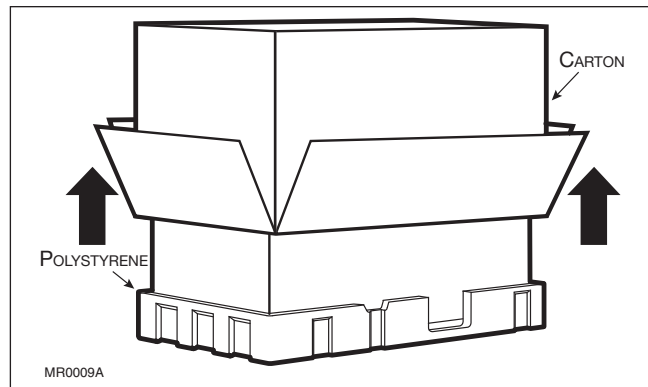
Gas range: 36½"



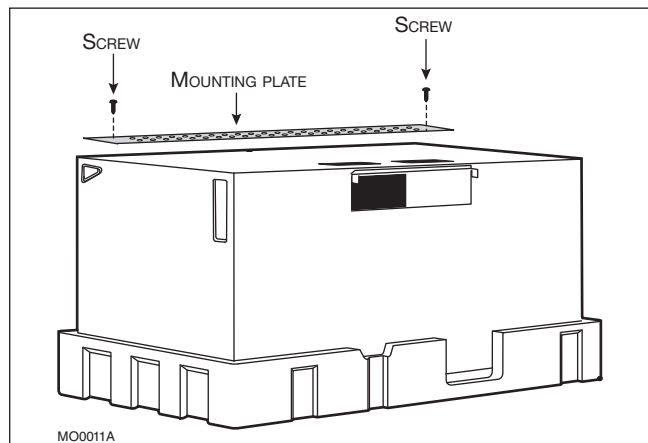
5. PLACEMENT OF THE MOUNTING PLATE

5.1 REMOVING MICROWAVE OVEN FROM CARTON/REMOVING MOUNTING PLATE

1. Remove the adapter/damper, filters, turntable, roller guide ring and parts bag. Do not remove the polystyrene protecting the front of the oven.
2. Fold back all 4 carton flaps fully against carton sides. Then carefully roll the oven and carton over onto the top side. The oven should be resting in the polystyrene.
3. Pull the carton up and off the oven.



4. Remove and properly discard plastic bags.
5. Remove the 2 mounting plate retaining screws and discard. Set the mounting plate aside.

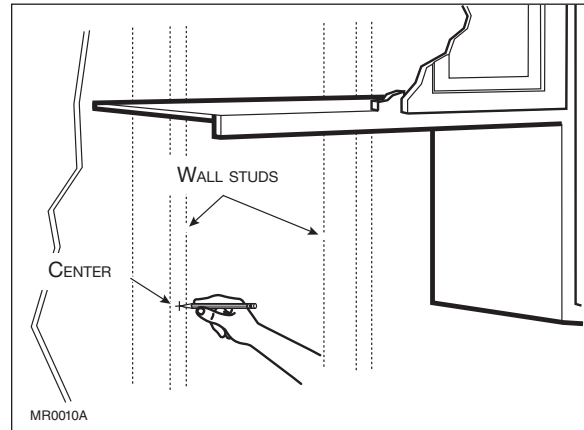


5. PLACEMENT OF THE MOUNTING PLATE (CONT'D)

5.2 FINDING THE WALL STUDS

1. Find the studs using one of the following methods:
 - A. Stud finder.
 - OR
 - B. Use a hammer to tap lightly across the mounting surface to find a solid sound. This will indicate a stud location.
2. After locating the stud(s), find the center by probing the wall with a small nail to find the edges of the stud. Then place a mark halfway between the edges. The center of any adjacent studs should be 16" or 24" from this mark.
3. Draw a line down the center of each stud.

NOTE: The microwave oven must be connected to at least one wall stud.



5.3 DETERMINING MOUNTING PLATE LOCATION

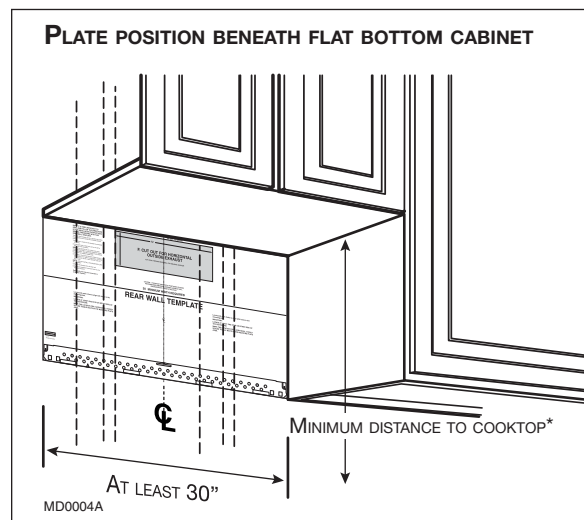
Your cabinets may have decorative trim that interferes with the microwave installation. Remove the decorative trim to install the microwave properly and to make it level.

NOTE: The microwave oven must be level.

FLAT BOTTOM CABINET

1. Draw a vertical line on the wall at the center of the 30" minimum wide space.
2. Tape the rear wall template onto the wall matching the centerline and touching the bottom of the cabinet.

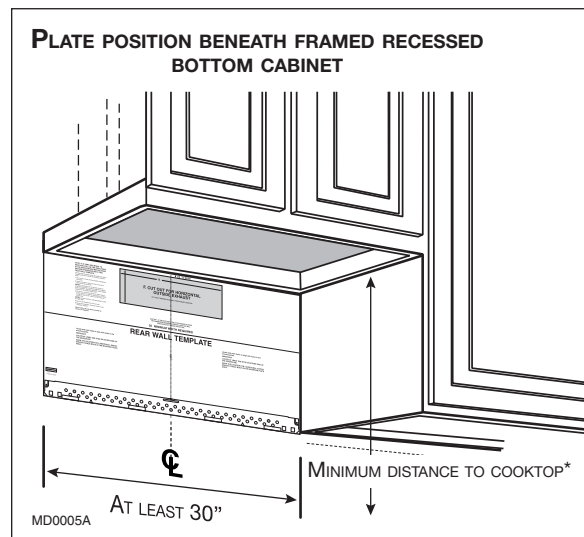
*Electric range: 30"
Gas range: 36½"



FRAMED RECESSED BOTTOM CABINET

1. Draw a vertical line on the wall at the center of the 30" minimum wide space.
2. Tape the rear wall template onto the wall matching the centerline and touching the bottom cabinet frame.

*Electric range: 30"
Gas range: 36½"



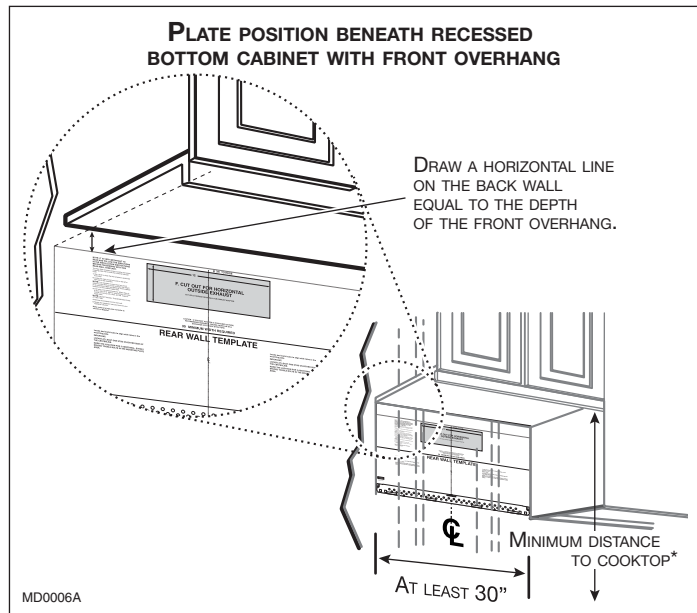
5. PLACEMENT OF THE MOUNTING PLATE (CONT'D)

5.3 DETERMINING MOUNTING PLATE LOCATION (CONT'D)

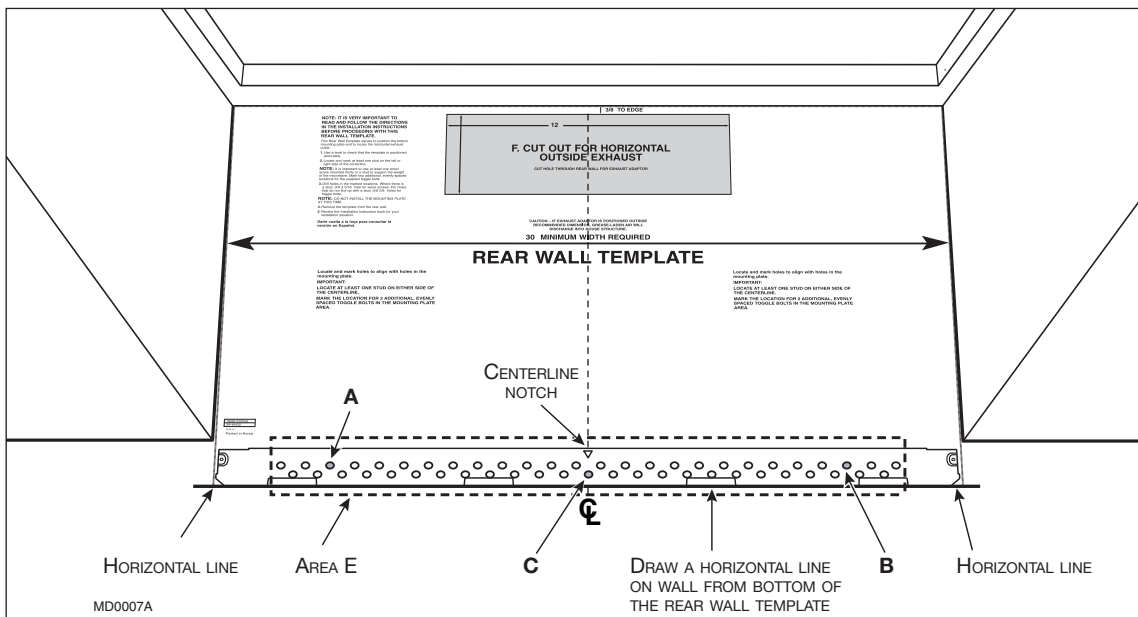
RECESSED BOTTOM CABINET WITH FRONT OVERHANG

1. Measure the inside depth of the front overhang.
2. Draw a horizontal line on the back wall an equal distance below the cabinet bottom as the inside depth of the front overhang.
3. Draw a vertical line on the wall at the center of the 30" minimum wide space.
4. Align the top of the rear wall template with the horizontal line and tape it onto the wall matching the centerline.

*Electric range: 30"
Gas range: 36½"



5.4 ALIGNING THE MOUNTING PLATE



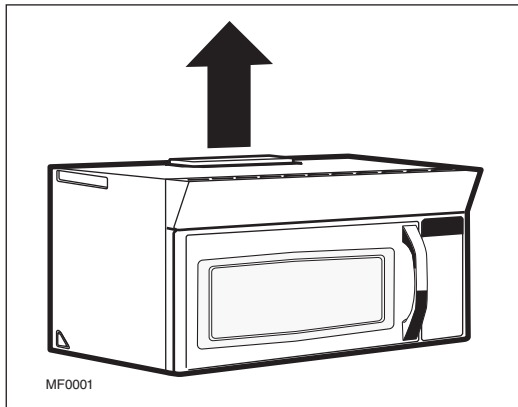
1. Draw a horizontal line on the wall at the bottom of the rear wall template.
2. Drill 5/8" holes for toggle bolts on 3 locations (Hole **A**, **B**, **C**) but if the location of hole is same as that of stud, drill a 3/16" hole for wood screw. In other words, toggle bolt can not be used to the location of stud. **Do not mount the plate at this time.**

NOTE: Holes **A**, **B** and **C** are inside area E. If none of **A**, **B** or **C** is in a stud, find a stud somewhere in area E and draw a fourth circle to line up with the stud. It is important to use at least one wood screw mounted firmly in a stud to support the weight of the microwave oven. Set the mounting plate aside.

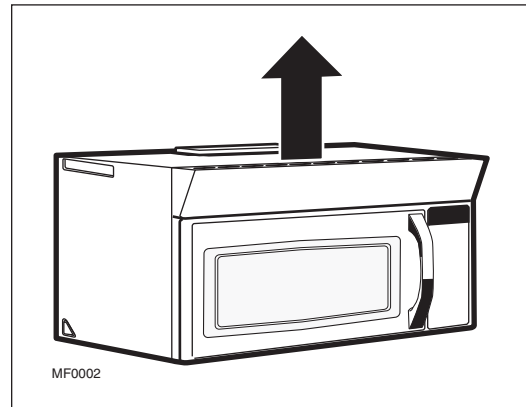
6. SELECT INSTALLATION TYPE

The microwave oven is designed for adaptation to the following three types of ventilation:

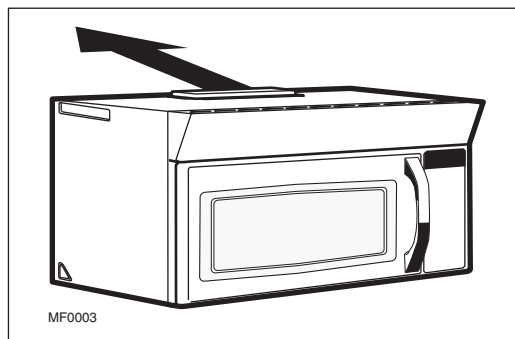
Vertical discharge (Section 7).



Non-ducted (Recirculation) (Section 8).



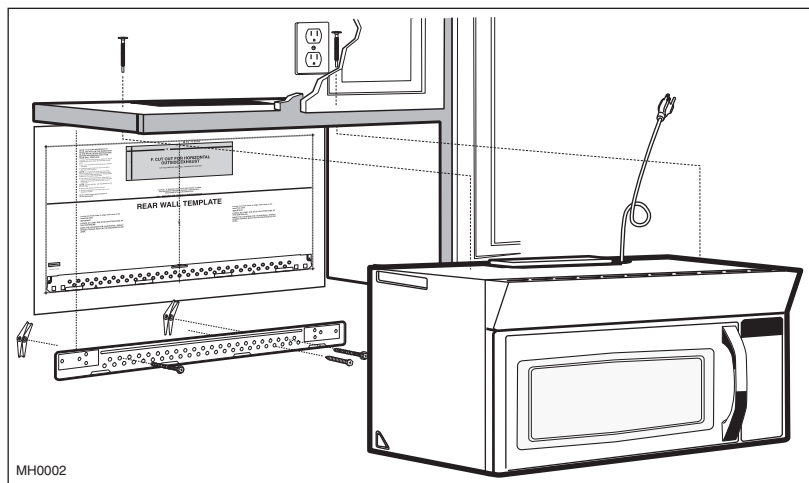
Horizontal discharge (Section 9).



7. VERTICAL DISCHARGE

INSTALLATION OVERVIEW

- 7.1 Attach mounting plate to wall
- 7.2 Prepare top cabinet
- 7.3 Install Adapter/damper
- 7.4 Mount the microwave oven
- 7.5 Connect ductwork

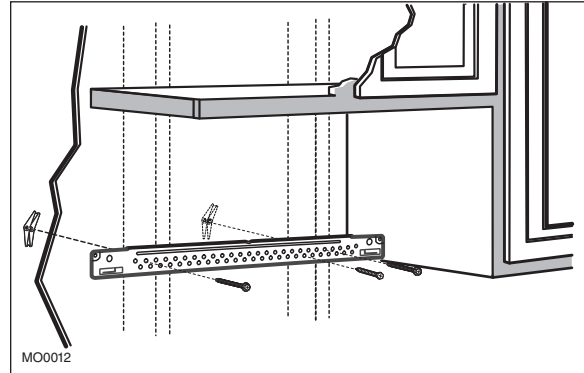


7. VERTICAL DISCHARGE (CONT'D)

7.1 ATTACH THE MOUNTING PLATE TO THE WALL

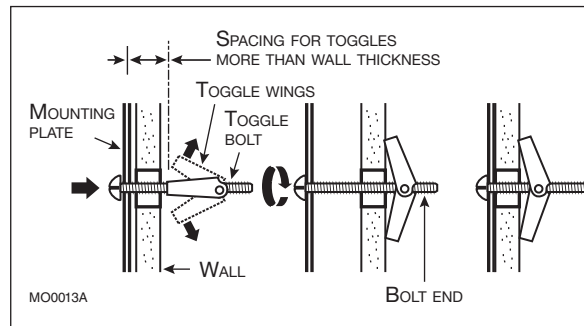
Attach the plate to the wall using toggle bolts. At least one wood screw must be used to attach the plate to a wall stud.

1. Remove the rear wall template and discard.
2. Remove the toggle wings from the bolts.
3. Insert the bolts into the mounting plate through the holes designated to go into drywall and reattach the toggle wings to 3/4" onto each bolt.



4. Place the bottom of the mounting plate against the horizontal line on the wall (previously drawn in step 5.4) and insert the toggle wings into the holes in the wall to mount the plate.
5. Tighten the wood screw and all bolts.

⚠ WARNING
Be careful to avoid pinching fingers between the back of the mounting plate and the wall.

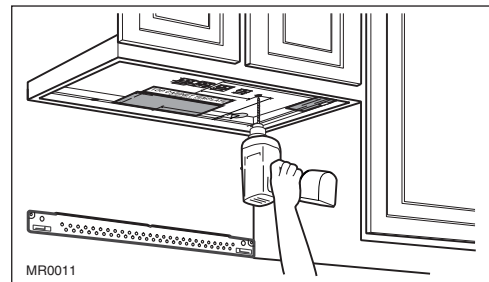


7.2 PREPARE TOP CABINET

You need to drill holes for the top support screws, a hole large enough for the power cord to fit through and a cutout large enough for the adapter/damper.

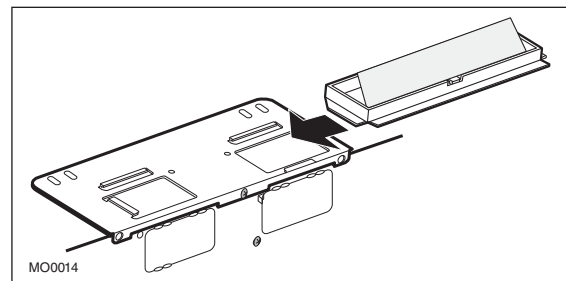
⚠ WARNING
Wear safety goggles when drilling holes in the cabinet bottom.

1. Read the instructions on the top cabinet template.
2. Tape it underneath the top cabinet.
3. Drill the holes following the instructions on the template.
4. Remove the template and discard.



7.3 INSTALL ADAPTER/DAMPER

1. Slide adapter/damper as shown beside.
NOTE: Ensure that the damper hinge is oriented toward the back of the microwave oven.
2. Ensure tape securing damper is removed and damper pivots easily before mounting microwave oven.



7. VERTICAL DISCHARGE (CONT'D)

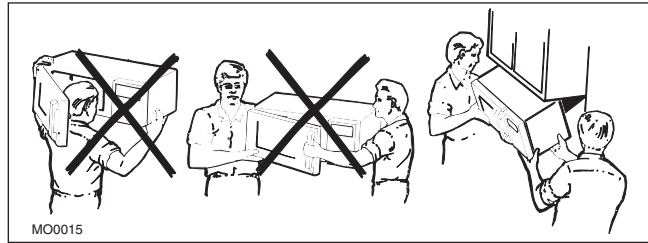
7.4 MOUNT THE MICROWAVE OVEN

⚠ WARNING

For easier installation and personal safety, this unit must be installed by two people.

⚠ WARNING

Do not grip or use door handle during installation.



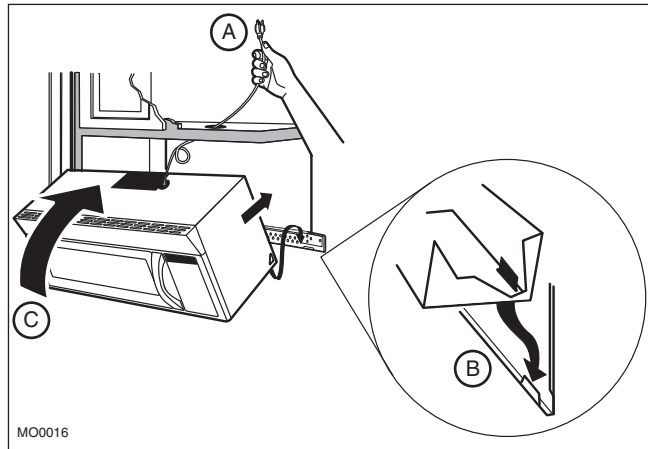
- NOTES:
- If your cabinet is metal, install the nylon strip around the power cord hole to prevent cutting of the cord.
 - We recommend using filler blocks if the cabinet front hangs below the cabinet bottom shelf.

CAUTION

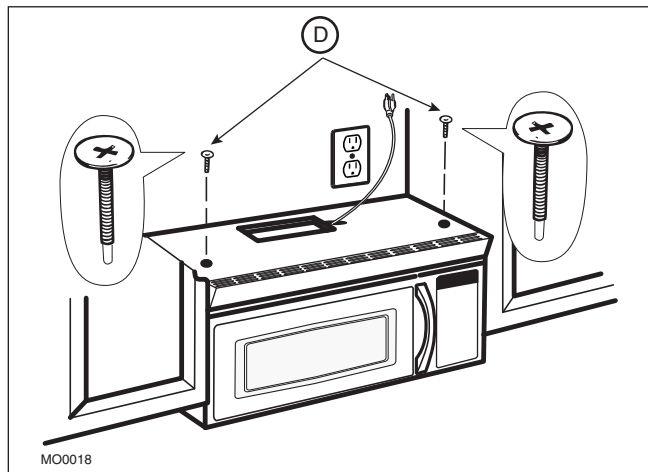
If filler blocks are not used, case damage may occur from over tightening screws.

- When mounting the microwave oven, thread power cord through hole in bottom of top cabinet (A). Keep it tight throughout steps 1-3. Do not pinch cord or lift oven by pulling cord.

1. Remove the polystyrene packaging and discard.
2. Lift microwave, tilt it forward, and hook slots at back bottom edge onto four lower tabs of mounting plate (B).
3. Rotate front of oven (C) up against cabinet bottom.



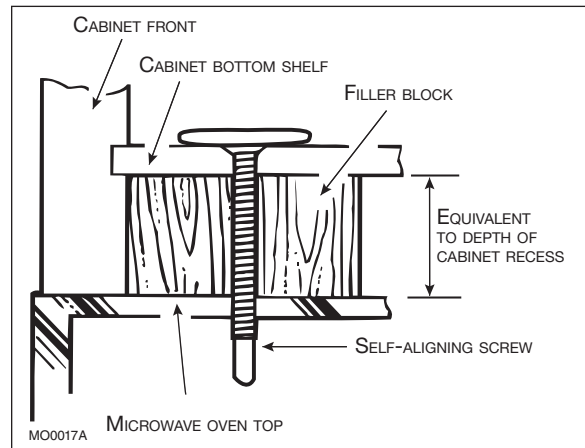
3. Insert 2 self-aligning screws (D) through top cabinet holes. Temporarily secure the oven by turning the screws at least **2 full turns** on each screw after the threads have engaged. **Ensure to keep power cord tight. Be careful not to pinch the cord, especially when mounting flush to bottom of cabinet.**



7. VERTICAL DISCHARGE (CONT'D)

7.4 MOUNT THE MICROWAVE OVEN (CONT'D)

4. Tighten the 2 screws to the top of the microwave oven.
(While tightening screws, hold the microwave oven in place against the wall and the top cabinet.)

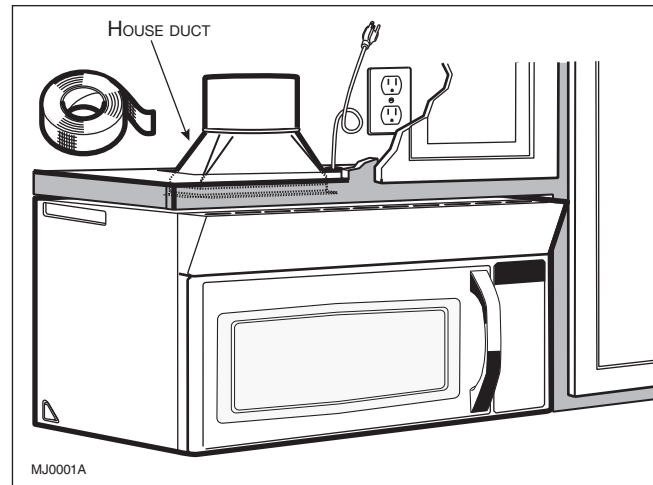


7.5 CONNECT DUCTWORK

1. Extend the house duct down to connect to the adapter/damper.

NOTE: Ensure adapter/damper is properly inserted in your house exhaust duct.

2. Seal the joint with metal foil duct tape.
3. Proceed to step 10 to finalize the installation.

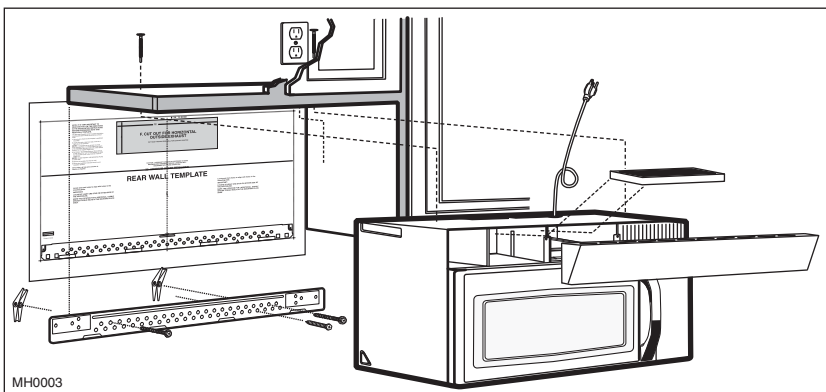


8. NON-DUCTED (RECIRCULATION)

INSTALLATION OVERVIEW

- 8.1 Attach mounting plate to wall
- 8.2 Prepare top cabinet
- 8.3 Adjust blower
- 8.4 Mount the microwave oven
- 8.5 Install charcoal filter

NOTE: The adapter/damper is not needed for a non-ducted installation, but it may be saved for possible future use.

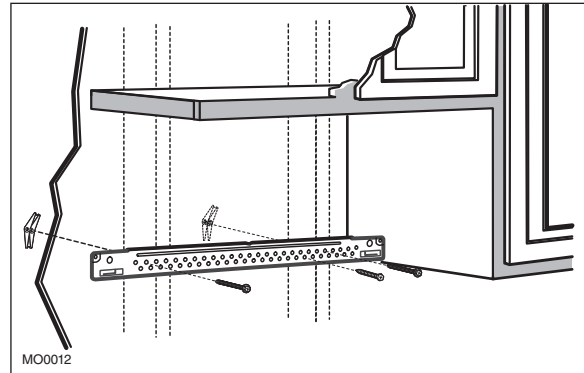


8. NON-DUCTED (RECIRCULATION) (CONT'D)

8.1 ATTACH THE MOUNTING PLATE TO THE WALL

Attach the plate to the wall using toggle bolts. At least one wood screw must be used to attach the plate to a wall stud.

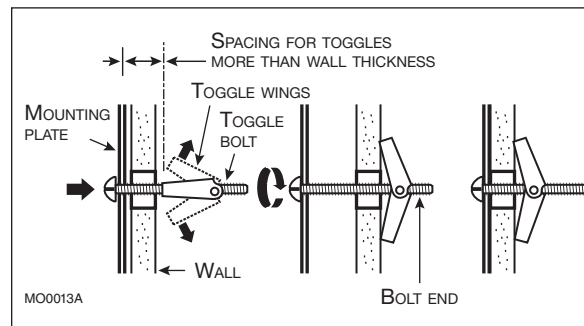
1. Remove the rear wall template and discard.
2. Remove the toggle wings from the bolts.
3. Insert the bolts into the mounting plate through the holes designated to go into drywall and reattach the toggle wings to 3/4" onto each bolt.



4. Place the bottom of the mounting plate against the horizontal line on the wall (previously drawn in step 5.4) and insert the toggle wings into the holes in the wall to mount the plate.
5. Tighten the wood screw and all bolts.

⚠ WARNING

Be careful to avoid pinching fingers between the back of the mounting plate and the wall.



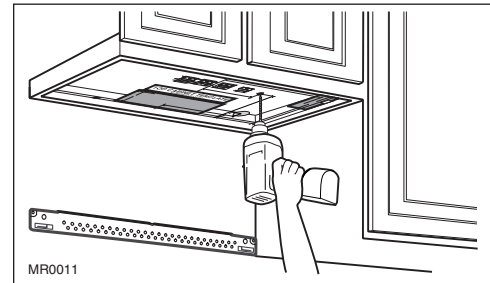
8.2 PREPARE TOP CABINET

You need to drill holes for the top support screws and a hole large enough for the power cord to fit through.

⚠ WARNING

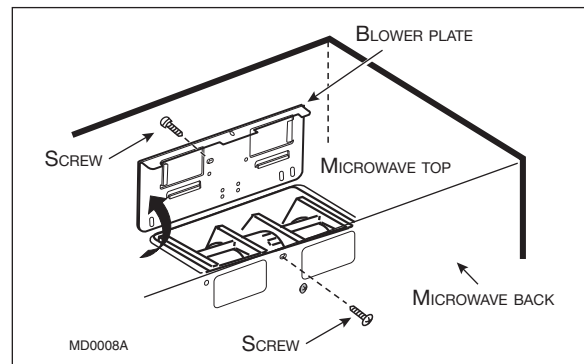
Wear safety goggles when drilling holes in the cabinet bottom.

1. Read the instructions on the top cabinet template.
2. Tape it underneath the top cabinet.
3. Drill the holes following the instructions on the template.
4. Remove the template and discard.



8.3 ADJUST BLOWER

1. Remove and set aside the 2 blower plate retaining screws.
2. Lift up the blower plate.



8. NON-DUCTED (RECIRCULATION) (CONT'D)

8.3 ADJUST BLOWER (CONT'D)

CAUTION

Do not touch the blower blades to prevent cracks and breaks. Hold outer case when handling the blower.

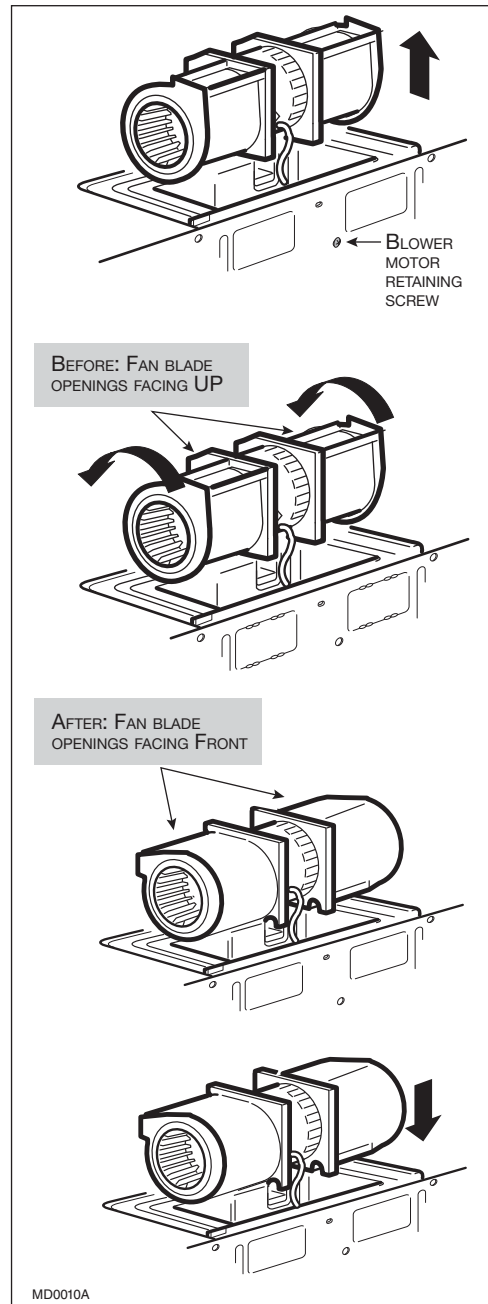
3. Remove and set aside the blower motor retaining screw. Carefully pull out the blower unit. The wires will extend far enough to allow blower unit adjustment.

4. Roll the blower unit 90° so that fan blade openings are facing toward the front of the microwave oven.

5. Install the blower unit back in place.
6. Secure blower unit to microwave with its retaining screw.

CAUTION

Do not pull or stretch the blower unit wiring. Ensure the wires are not pinched.



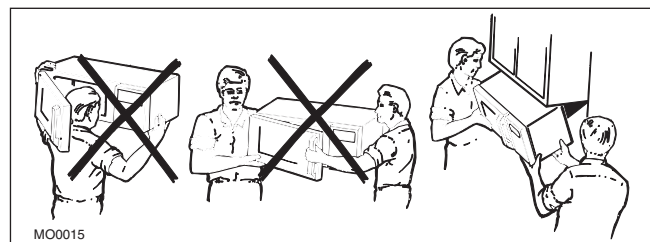
8.4 MOUNT THE MICROWAVE OVEN

WARNING

For easier installation and personal safety, this unit must be installed by two people.

WARNING

Do not grip or use door handle during installation.



8. NON-DUCTED (RECIRCULATION) (CONT'D)

8.4 MOUNT THE MICROWAVE OVEN (CONT'D)

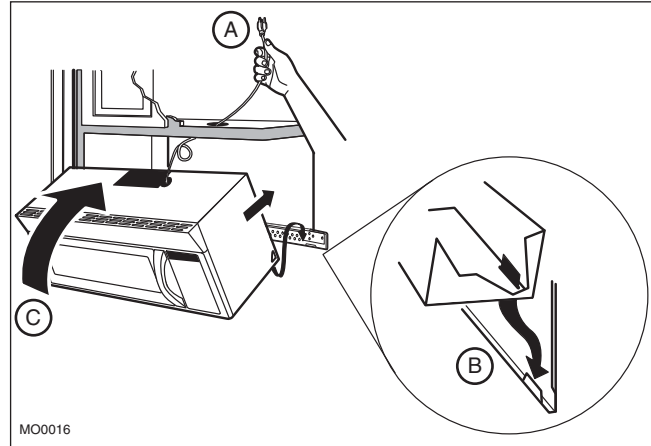
- NOTES:
- If your cabinet is metal, install the nylon strip around the power cord hole to prevent cutting of the cord.
 - We recommend using filler blocks if the cabinet front hangs below the cabinet bottom shelf.

CAUTION

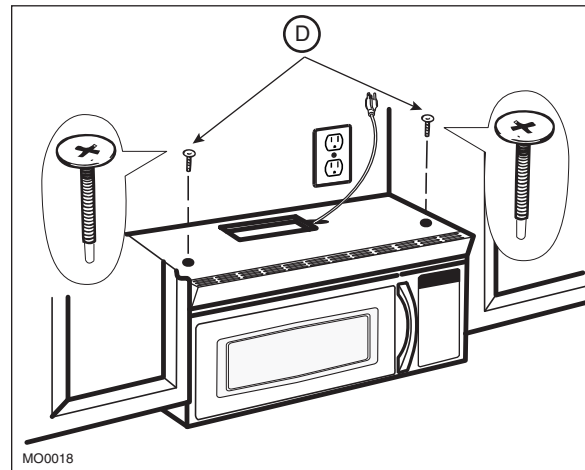
If filler blocks are not used, case damage may occur from over tightening screws.

- When mounting the microwave oven, thread power cord through hole in bottom of top cabinet (A). Keep it tight throughout steps 1-3. Do not pinch cord or lift oven by pulling cord.

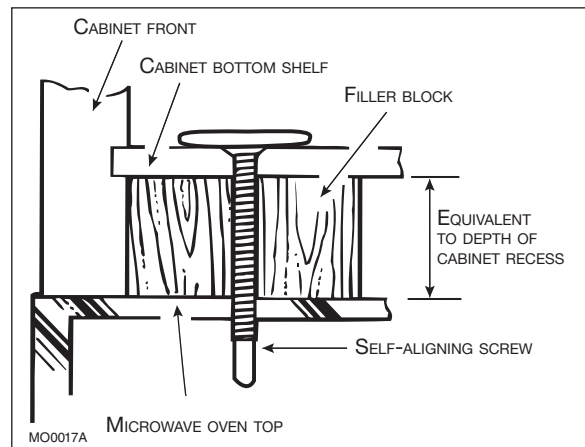
1. Remove the polystyrene packaging and discard.
2. Lift microwave, tilt it forward, and hook slots at back bottom edge onto four lower tabs of mounting plate (B).
3. Rotate front of oven (C) up against cabinet bottom.



3. Insert 2 self-aligning screws (D) through top cabinet holes. Temporarily secure the oven by turning the screws at least **2 full turns** on each screw after the threads have engaged. **Ensure to keep power cord tight. Be careful not to pinch the cord, especially when mounting flush to bottom of cabinet.**



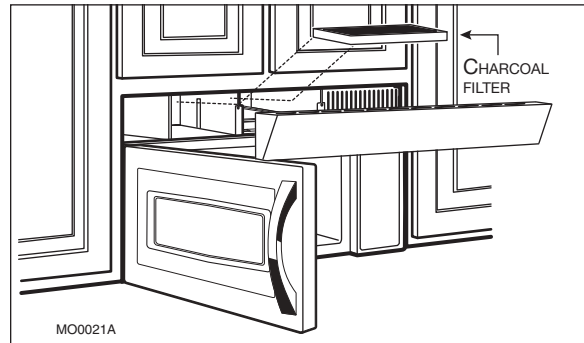
4. Tighten the 2 screws to the top of the microwave oven. (While tightening screws, hold the microwave oven in place against the wall and the top cabinet.)



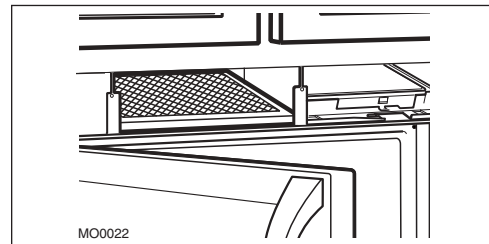
8. NON-DUCTED (RECIRCULATION) (CONT'D)

8.5 INSTALL THE CHARCOAL FILTER

1. Using a no. 2 Phillips screwdriver, remove the 3 grille retaining screws (located on top of the grille).
2. Open the door.
3. Push the grille left, then pull straight out to remove.



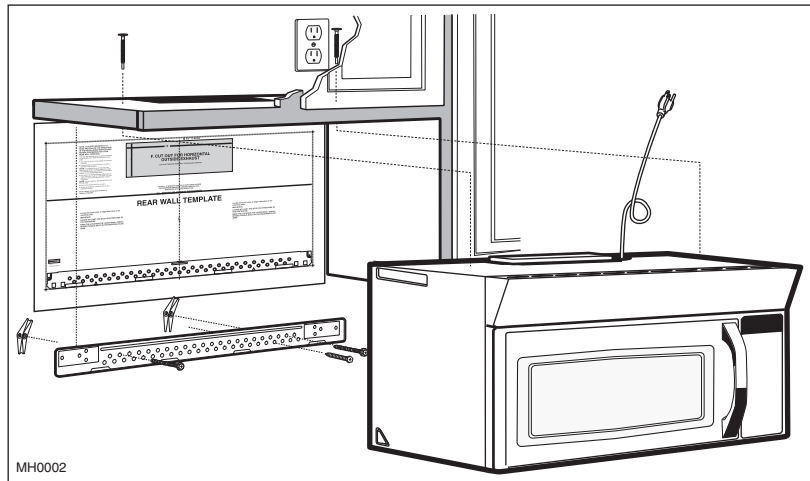
4. Slide the charcoal filter into place. The filter should rest at the angle shown beside. When properly installed, the wire mesh of the filter is visible.
5. Reinstall the grille and its screws.
6. Close the door.
7. Proceed to step 10 to finalize the installation.



9. HORIZONTAL DISCHARGE

INSTALLATION OVERVIEW

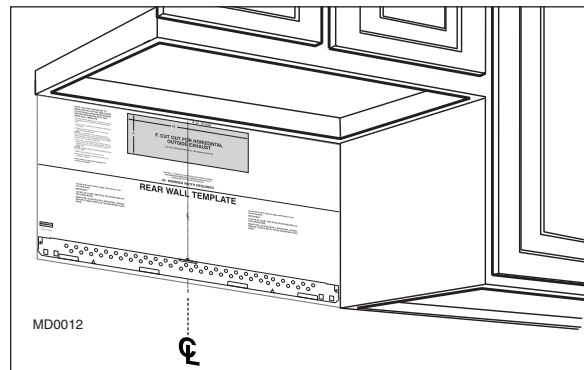
- 9.1 Prepare rear wall
- 9.2 Attach mounting plate to wall
- 9.3 Prepare top cabinet
- 9.4 Adjust blower
- 9.5 Mount the microwave oven



9.1 PREPARE REAR WALL

You need to cut an opening in the rear wall for horizontal discharge.

1. Read the instructions on the rear wall template.
2. Cut the opening, following the instructions on the rear wall template.

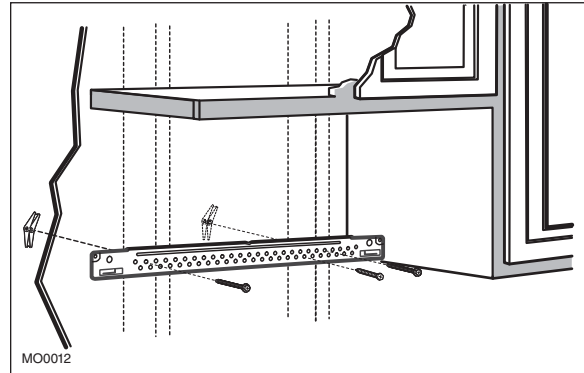


9. HORIZONTAL DISCHARGE (CONT'D)

9.2 ATTACH THE MOUNTING PLATE TO THE WALL

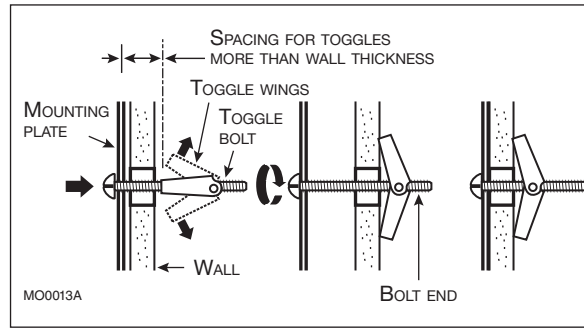
Attach the plate to the wall using toggle bolts. At least one wood screw must be used to attach the plate to a wall stud.

1. Remove the rear wall template and discard.
2. Remove the toggle wings from the bolts.
3. Insert the bolts into the mounting plate through the holes designated to go into drywall and reattach the toggle wings to 3/4" onto each bolt.



4. Place the bottom of the mounting plate against the horizontal line on the wall (previously drawn in step 5.4) and insert the toggle wings into the holes in the wall to mount the plate.
5. Tighten the wood screw and all bolts.

⚠ WARNING
Be careful to avoid pinching fingers between the back of the mounting plate and the wall.

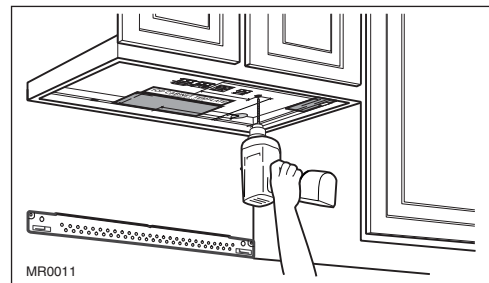


9.3 PREPARE TOP CABINET

You need to drill holes for the top support screws and a hole large enough for the power cord to fit through.

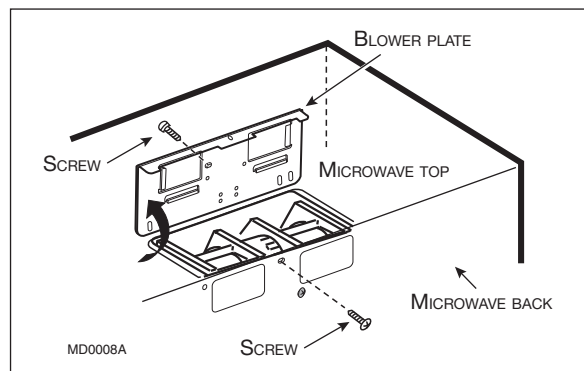
⚠ WARNING
Wear safety goggles when drilling holes in the cabinet bottom.

1. Read the instructions on the top cabinet template.
2. Tape it underneath the top cabinet.
3. Drill the holes following the instructions on the template.
4. Remove the template and discard.



9.4 ADJUST BLOWER

1. Remove and set aside the 2 blower plate retaining screws.
2. Lift up the blower plate.



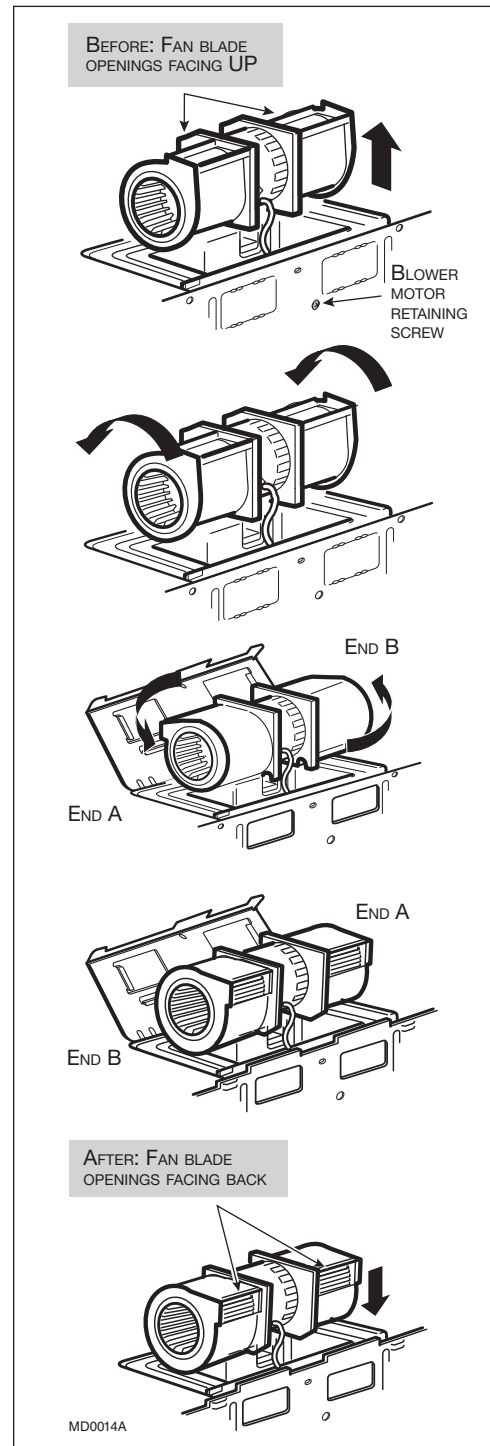
9. HORIZONTAL DISCHARGE (CONT'D)

9.4 ADJUST BLOWER (CONT'D)

CAUTION

Do not touch the blower blades to prevent cracks and breaks. Hold outer case when handling the blower.

3. Remove and set aside the blower motor retaining screw. Carefully pull out the blower unit. The wires will extend far enough to allow blower unit adjustment.
4. Roll the blower unit 90° so that fan blade openings are facing toward the front of the microwave oven.
5. Flip blower unit 180°, so that the fan blade openings are facing toward the back of the microwave oven.
6. Install the blower unit back in place.
7. Secure blower unit to microwave with its retaining screw.



CAUTION

Do not pull or stretch the blower unit wiring. Ensure the wires are not pinched.

NOTE: The blower unit exhaust openings should match exhaust openings on rear of microwave oven.

9. HORIZONTAL DISCHARGE (CONT'D)

9.4 ADJUST BLOWER (CONT'D)

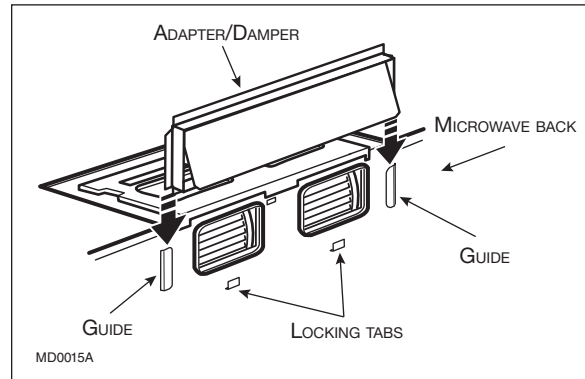
7. Reinstall the blower plate with its top screw only.

8. Attach the adapter/damper to the rear of the oven by sliding it into the guides at the top center of the back of the oven.

NOTE: Push in securely until it is in the lower locking tabs. Ensure that the damper hinge is located on top and that the damper swings freely.

9. Reinstall the blower plate back screw.

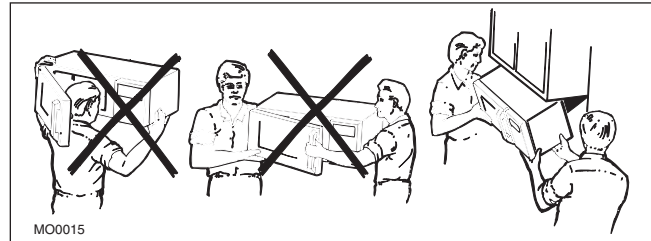
10. Seal the joint with metal foil duct tape.



9.5 MOUNT THE MICROWAVE OVEN

⚠ WARNING
For easier installation and personal safety, this unit must be installed by two people.

⚠ WARNING
Do not grip or use door handle during installation.



NOTES:

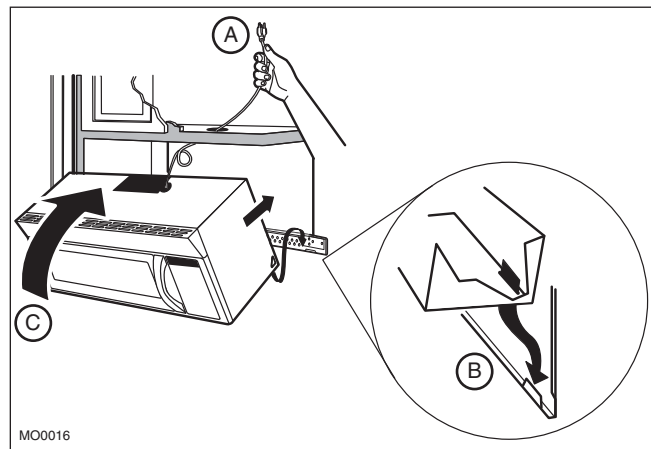
- If your cabinet is metal, install the nylon strip around the power cord hole to prevent cutting of the cord.
- We recommend using filler blocks if the cabinet front hangs below the cabinet bottom shelf.

CAUTION
If filler blocks are not used, case damage may occur from over tightening screws.

• When mounting the microwave oven, thread power cord through hole in bottom of top cabinet (A). Keep it tight throughout steps 1-3. Do not pinch cord or lift oven by pulling cord.

1. Remove the polystyrene packaging and discard.
2. Run the house duct to the microwave oven location.
3. Lift microwave, tilt it forward, and hook slots at back bottom edge onto four lower tabs of mounting plate (B).
4. Rotate front of oven (C) up against cabinet bottom.

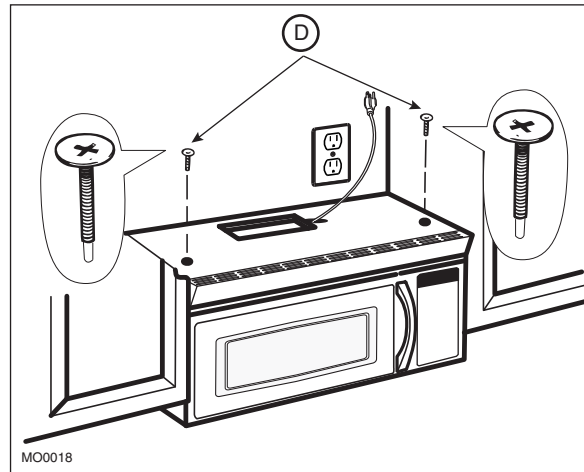
NOTE: Ensure adapter/damper is properly inserted in your house exhaust duct after the microwave oven is installed.



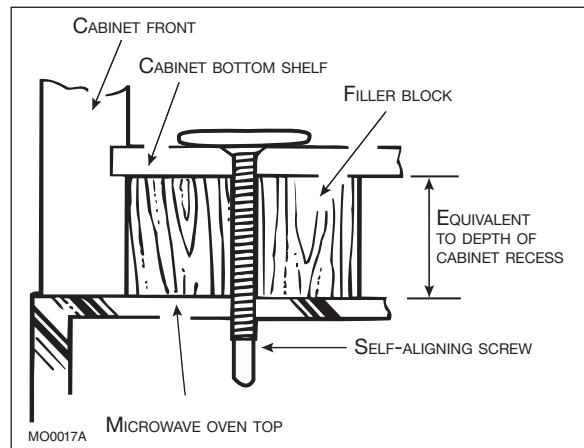
9. HORIZONTAL DISCHARGE (CONT'D)

9.5 MOUNT THE MICROWAVE OVEN (CONT'D)

3. Insert 2 self-aligning screws (D) through top cabinet holes. Temporarily secure the oven by turning the screws at least **2 full turns** on each screw after the threads have engaged. **Ensure to keep power cord tight. Be careful not to pinch the cord, especially when mounting flush to bottom of cabinet.**

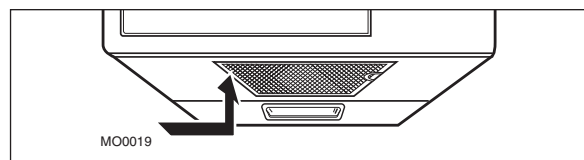


4. Tighten the 2 screws to the top of the microwave oven. (While tightening screws, hold the microwave oven in place against the wall and the top cabinet.)



10. BEFORE USING THE MICROWAVE OVEN

1. Install grease filter. See the Owner's manual packed with the microwave oven.



2. Ensure the microwave oven has been installed according to instructions.
3. Remove all packing material from the microwave oven.
4. Install turntable and ring in cavity.
5. Switch power on at service panel.
6. Plug unit power cord into a dedicated 20-amp electrical outlet.
7. Read Owner's manual.
8. Keep installation instructions for the local inspector's use.