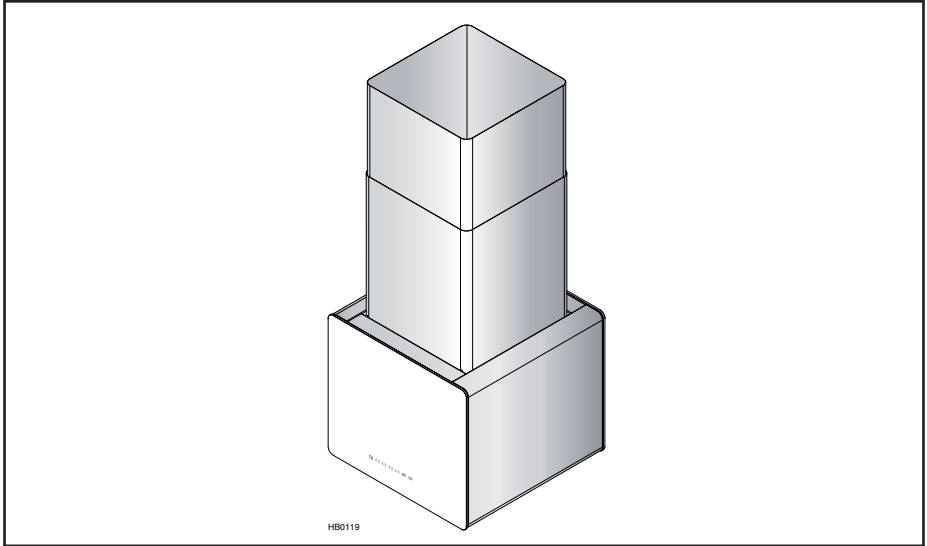


INSTALLATION INSTRUCTIONS



CIC700 SERIES

⚠ INTENDED FOR DOMESTIC COOKING ONLY ⚠

READ AND SAVE THESE INSTRUCTIONS

INSTALLER: LEAVE THIS MANUAL WITH HOMEOWNER.
HOMEOWNER: USE AND CARE INFORMATION
ON PAGES 15 TO 18.

Venmar Ventilation Inc., 550 Lemire Blvd., Drummondville QC J2C 7W9
1-800-567-3855

REGISTER YOUR PRODUCT ON LINE AT: www.bnv.ca

For additional information, visit
www.venmar.ca or www.ispira.ca



SV09865 rev. 02

WARNING

TO REDUCE THE RISK OF FIRE, ELECTRIC SHOCK OR INJURY TO PERSONS, OBSERVE THE FOLLOWING:

1. Use this unit only in the manner intended by the manufacturer. If you have questions, contact the manufacturer at the address or telephone number listed in the warranty.
2. Before servicing or cleaning unit, switch power off at service panel and lock service disconnecting means to prevent power from being switched on accidentally. When the service disconnecting means cannot be locked, securely fasten a prominent warning device, such as a tag, to the service panel.
3. Installation work and electrical wiring must be done by qualified personnel in accordance with all applicable codes and standards, including fire-rated construction codes and standards.
4. Sufficient air is needed for proper combustion and exhausting of gases through the flue (chimney) of fuel burning equipment to prevent backdrafting. Follow the heating equipment manufacturer's guidelines and safety standards such as those published by the National Fire Protection Association (NFPA), and the American Society for Heating, Refrigeration and Air Conditioning Engineers (ASHRAE), and the local code authorities.
5. When cutting or drilling into wall or ceiling, do not damage electrical wiring and other hidden utilities.
6. Ducted fans must always be vented to the outdoors.
7. Do not use this unit with any additional solid-state speed control device.
8. To reduce the risk of fire, use only metal ductwork.
9. This unit must be grounded. To provide protection against electric shock, connect to properly grounded outlets only.
10. All tempered glass can experience spontaneous breakage. If broken, tempered glass falls out of it's opening in interlocking clumps. Tempered glass can, on occasion, break into large shards rather than the classic tiny piece pattern.
11. When applicable local regulations comprise more restrictive installation and/or certification requirements, the aforementioned requirements prevail on those of this document and the installer agrees to conform to these at his own expenses.

TO REDUCE THE RISK OF A RANGE TOP GREASE FIRE:

- a) Never leave surface units unattended at high settings. Boilovers cause smoking and greasy spillovers that may ignite. Heat oils slowly on low or medium settings.
- b) Always turn hood ON when cooking at high heat or when flambeing food (i.e.: Crêpes Suzette, Cherries Jubilee, Peppercorn Beef Flambé).
- c) Clean ventilating fans frequently. Grease should not be allowed to accumulate on fans, filters or exhaust ducts.
- d) Use proper pan size. Always use cookware appropriate for the size of the surface element.

WARNING

TO REDUCE THE RISK OF INJURY TO PERSONS IN THE EVENT OF A RANGE TOP GREASE FIRE, OBSERVE THE FOLLOWING*:

1. SMOTHER FLAMES with a close-fitting lid, cookie sheet or metal tray, then turn off the burner. BE CAREFUL TO PREVENT BURNS. IF THE FLAMES DO NOT GO OUT IMMEDIATELY, EVACUATE AND CALL THE FIRE DEPARTMENT.
2. NEVER PICK UP A FLAMING PAN – You may be burned.
3. DO NOT USE WATER, including wet dishcloths or towels – This could cause a violent steam explosion.
4. Use an extinguisher ONLY if:
 - A. You own a Class ABC extinguisher and you know how to operate it.
 - B. The fire is small and contained in the area where it started.
 - C. The fire department has been called.
 - D. You can fight the fire with your back to an exit.

*Based on "Kitchen Fire Safety Tips" published by NFPA.

CAUTION

1. For indoor use only.
2. For general ventilating use only. Do not use to exhaust hazardous or explosive materials and vapors.
3. To avoid motor bearing damage and noisy and/or unbalanced impeller, keep drywall spray, construction dust, etc. off power unit.
4. Your hood motor has a thermal overload which will automatically shut off the motor if it becomes overheated. The motor will restart when it cools down. If the motor continues to shut off and restart, have the hood serviced.
5. The minimum hood distance above cooktop must not be less than 30". A maximum of 36" above cooktop is highly recommended for best capture of cooking impurities.
6. Two installers are recommended because of the large size and weight of this hood.
7. To reduce the risk of fire and to properly exhaust air, be sure to duct air outside – Do not exhaust air into spaces within walls or ceiling or into attics, crawl space or garage.
8. Because of the high exhausting capacity of this hood, you should make sure enough air is entering the house to replace exhausted air by opening a window close to or in the kitchen.
9. To reduce the risk of fire and electrical shock, the Venmar Connaisseur CIC700 Series models should only be installed with their own built-in blower.
10. Please read specification label on product for further information and requirements.

TABLE OF CONTENTS

1. INSTALL DUCTWORK	3-4
2. PREPARE THE INSTALLATION	4
3. PREPARE HOOD	5
4. MEASURE INSTALLATION	6
5. INSTALL MOUNTING BRACKETS	7-8
6. ASSEMBLE ANGLE BRACKETS	9-10
7. CONNECT WIRING	10-11
8. INSTALL GLASS PANELS (WG MODEL ONLY)	12
9. INSTALL HOOD	12-13
10. REINSTALL BAFFLE FILTERS	14
11. LIGHT BULBS	14
12. CARE	15
13. OPERATION	15-18
14. WARRANTY	18
15. WIRING DIAGRAM	19
16. SERVICE PARTS	20

1. INSTALL DUCTWORK

Plan where and how the ductwork will be installed.

A straight, short duct run will allow the hood to perform most efficiently.

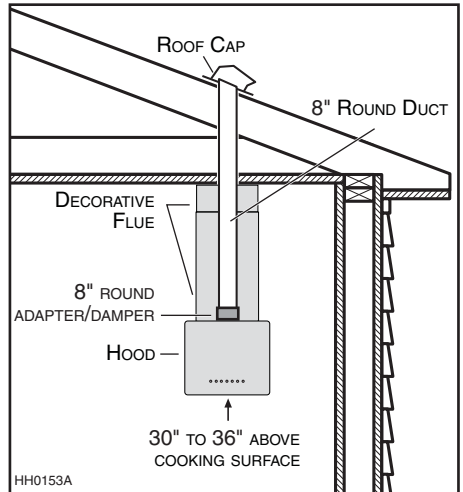
Install proper-sized ductwork, elbows and roof cap. Connect metal ductwork to cap and work back towards the hood location. Use 2" metal foil duct tape to seal the joints.

Run 3-wire power supply cable to installation location.

We recommend to install the hood at a minimum distance of 30" above cooking surface. A maximum of 36" above cooktop is highly recommended for best capture of cooking impurities.

NOTES: 1. Distances over 36" are at the installer and users discretion.

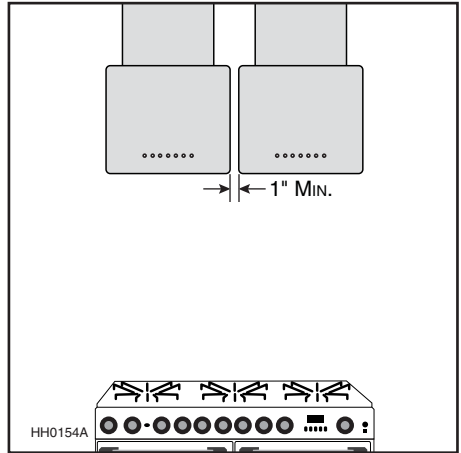
2. 10-ft. ceilings require 10-ft. flue extension, part no. 19325 (sold separately).



1. INSTALL DUCTWORK (CONT'D)

Installation over a gas range:

Refer to gas range manufacturer's guidelines for the recommended CFM. If two CIC700 Series range hoods are required, the minimum space between the hoods should not be less than 1".



2. PREPARE THE INSTALLATION

⚠ WARNING

When performing installation, servicing or cleaning the unit, it is recommended to wear safety glasses and gloves.

NOTE: Before proceeding to the installation, check the contents of the box. If items are missing or damaged, contact the manufacturer.

Make sure that the following items are included:

- Hood
- Accessories
 - Decorative flue assembly (lower and upper flues)
 - 2 Shielded halogen bulbs (120 V, 50 W, MR16 with GU10 base)
 - 2 Baffle filters
 - 4 Filter knobs with screws (taped inside the hood)
 - 1 Ceiling mounting bracket
 - 8 Angle brackets
 - 8" Adapter/Damper (in a separate box)
 - Installation manual
 - Bag of parts including: 2 wire connectors, 1 wire clamp, 8 no. 10 x 1½" wood screws, 8 washers, 2 no. 8 x 1/2" quadrex screws, 10 no. 8 x 3/8" quadrex screws, 17 no. 10-32 locknuts, 50 no. 10-32 x 1/2" quadrex screws

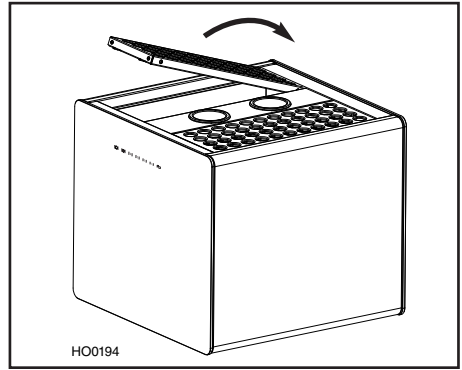
Parts sold separately:

- Ducts, elbows, wall and roof caps.
- Optional flue extension for 10-ft. ceilings model no. 19325.
- LinkLogic® remote control (model no. ACW1WH).
- Glass panels for CIC700I16WG model (see service parts list on page 20).

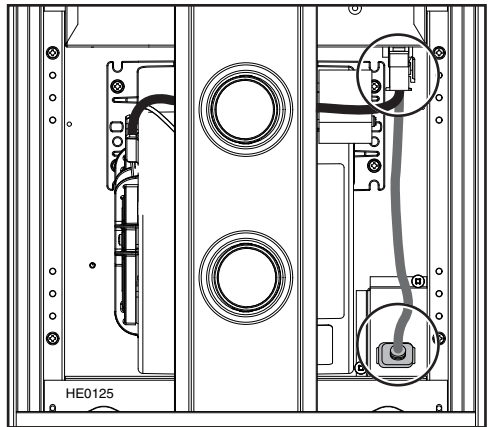
NOTE: During installation, protect countertop and/or cooktop.

3. PREPARE HOOD

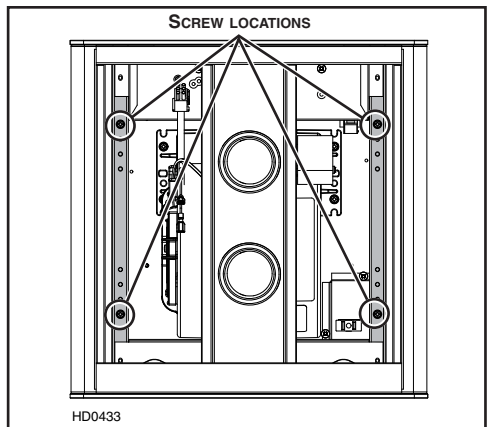
1. Rest the range hood on a table. Use a piece of cardboard to avoid damaging the table or the hood. Remove tape on filters. Lift filters by pushing them towards the back (opposite control side) and rotate, then set filters aside.



2. Disconnect power cord from electrical box and disconnect blower.



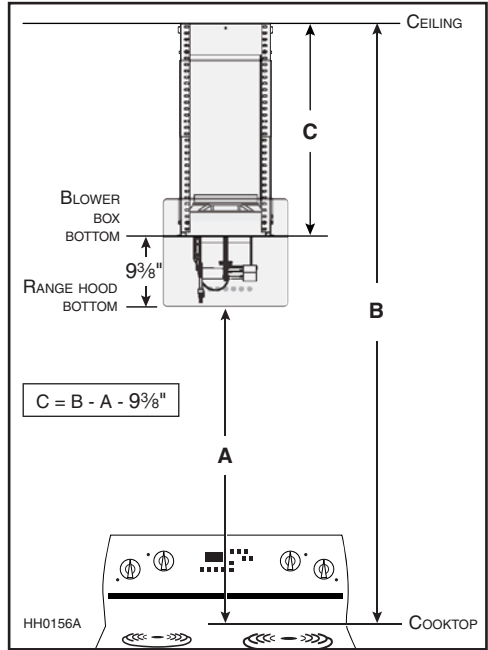
3. Remove blower box 4 retaining screws. Lift hood and set aside with screws.



4. MEASURE INSTALLATION

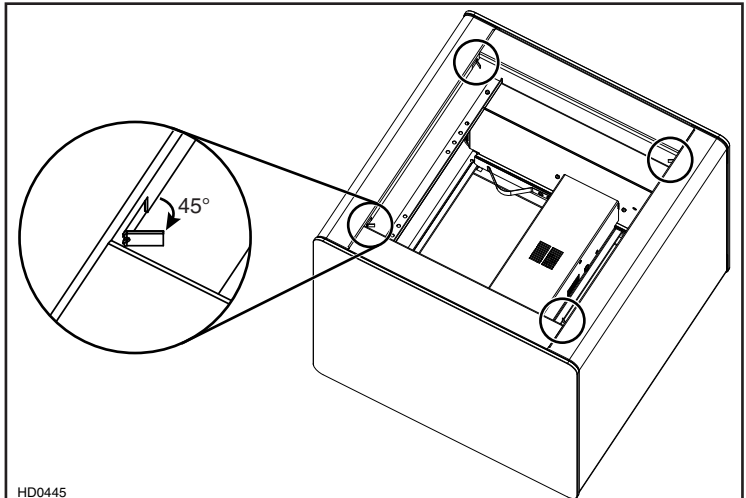
Determine angle brackets length needed based upon ceiling height (**B**) and desired height of hood above cooktop (**A**).

The table below indicates which flue(s) to use and the number of brackets required according to height (**C**).



C		REQUIRED COMPONENTS				
FROM	TO	BRACKETS	UPPER FLUE	LOWER FLUE	OPTIONAL FLUE	BEND TABS
14 $\frac{3}{4}"$	18 $\frac{3}{4}"$	4	X			
19 $\frac{1}{2}"$	28 $\frac{1}{4}"$	8	X	X		
28 $\frac{3}{4}"$	33"	8	X	X		X*
33 $\frac{1}{2}"$	40"	12		X	X	
40 $\frac{3}{4}"$	44 $\frac{3}{4}"$	12		X	X	X*

* If need be, bend the 4 tabs located in the corners of the top of the hood, to a 45° angle using a straight-blade screwdriver (as illustrated at right).



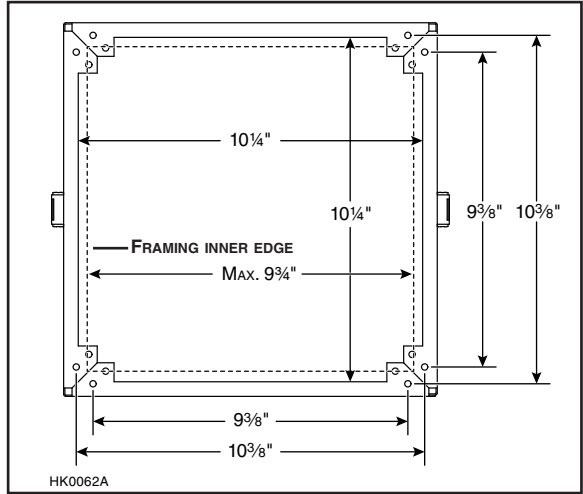
HD0445

5. INSTALL MOUNTING BRACKET

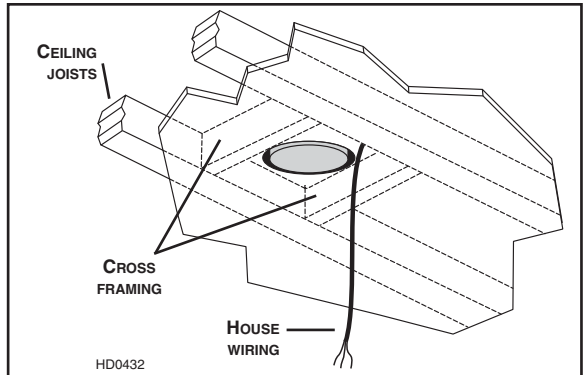
WARNING

When building framework, always follow all applicable construction codes and standards.

1. Modify ceiling structure at hood location. Install 2" x 4" cross framing between ceiling joists using ceiling mounting bracket dimensions shown at right. The framework must be sized to support the total weight of the hood and should not be larger than 9 $\frac{3}{4}$ " x 9 $\frac{3}{4}$ ".

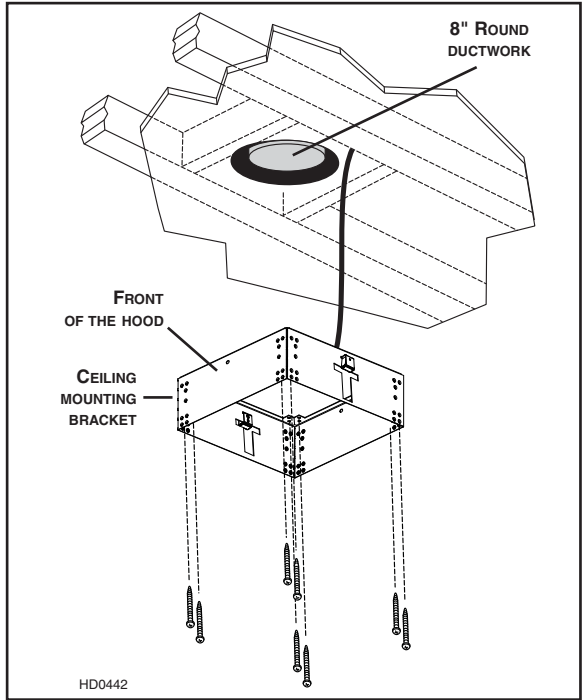


2. Finish ceiling surface. Be sure to mark the location of the ceiling joists and cross framing. Bring house wiring through finished ceiling.



5. INSTALL MOUNTING BRACKET (CONT'D)

3. Position the mounting bracket in such a way that one of the sides without a "T" will be facing the front of the hood. Secure mounting bracket to the ceiling using 8 no. 10 x 1½" wood screws (2 for each corner). Make sure screws are driven into the center of the framing for maximum strength.



6. ASSEMBLE ANGLE BRACKETS

1. Assemble 4 angle brackets to the ceiling mounting bracket using at least two no.10-32 x 1/2" quadrex screws per angle bracket.

NOTES: 1. Do not tighten the screws yet.

2. Depending on the height needed (C) (previously determined in section 4), the angle brackets might not touch the ceiling as illustrated at right.

2. If need be, assemble a second set of 4 angle brackets to the inner side of the upper angle bracket set according to the height needed (C) (previously determined in section 4). Use at least two no. 10-32 x 1/2" quadrex screws and two no. 10-32 lock nuts per angle bracket connection.

NOTE: Do not tighten the screws yet.

FOR 10-FT CEILINGS:

Both lower and upper flues are included with the hood, but for a 10-ft ceiling, discard the provided upper flue and use the optional extension flue, part no. 19325 (sold separately). 4 additional angle brackets and additional mounting hardware are included with the optional extension flue.

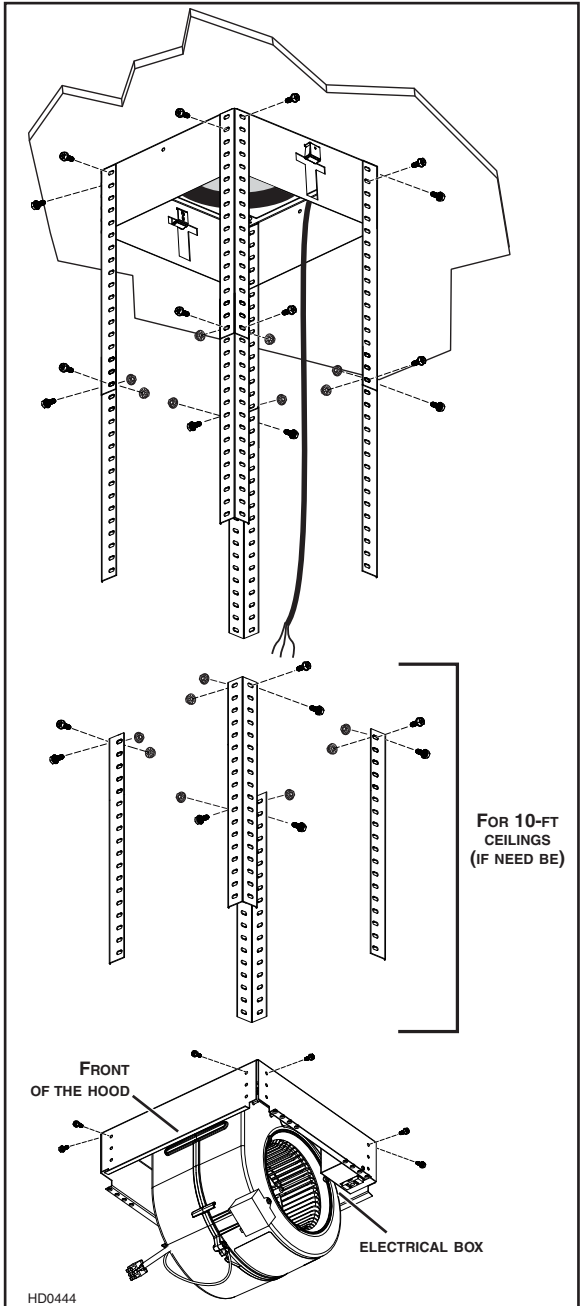
If need be, assemble a third set of 4 angle brackets to the second angle bracket set according to the height needed (C) (previously determined in section 4). Use at least two no. 10-32 x 1/2" quadrex screws and two no. 10-32 lock nuts per angle bracket.

NOTE: Do not tighten the screws yet.

3. Attach blower box assembly to lower angle brackets using at least two no. 10-32 x 1/2" quadrex screws per angle bracket.

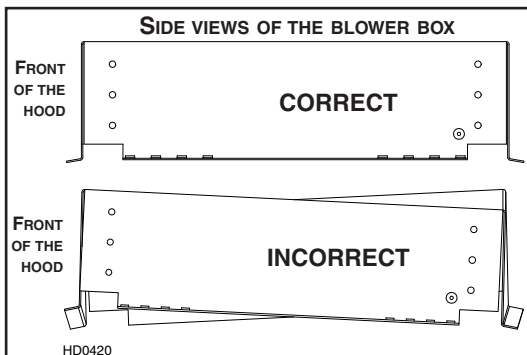
NOTES: 1. Make sure the blower box bottom is at the desired height (C) as previously determined in section 4.

2. Ensure electrical box is positioned in the back right corner.



6. ASSEMBLE ANGLE BRACKETS (CONT'D)

4. Make sure all brackets are straight and blower box is level and square (as shown at right), then tighten all screws.

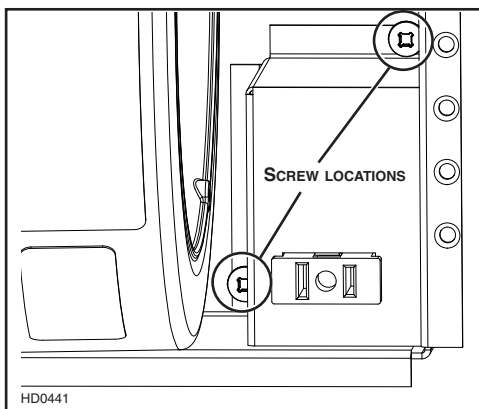


7. CONNECT WIRING

⚠ WARNING

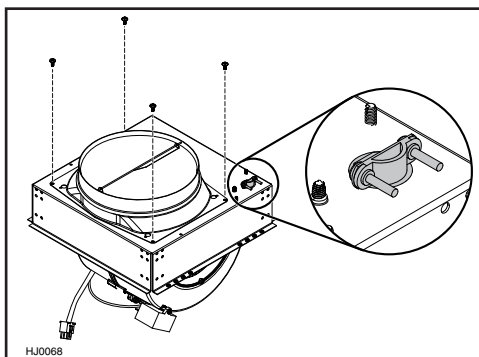
Risk of electric shock. Electrical wiring must be done by qualified personnel in accordance with all applicable codes and standards. Before connecting wires, switch power off at service panel and lock service disconnecting means to prevent power to be switched on accidentally.

1. Remove electrical box cover both retaining screws. Set cover and screws aside.



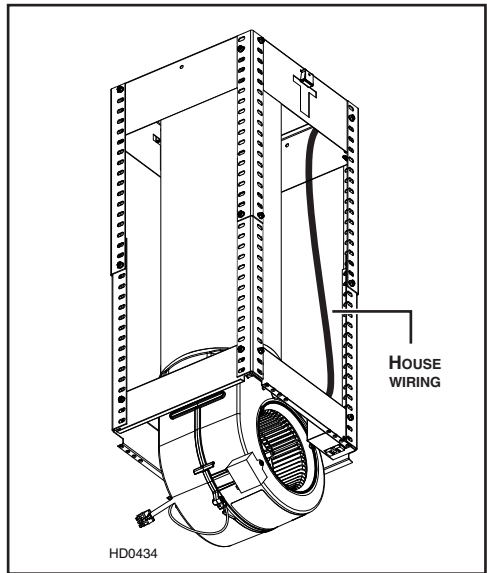
2. Install wire clamp (included) on top of blower box.

Attach the adapter/damper to the blower box using 4 no. 8 x 3/8" quadrex screws (included). Remove tape on damper. (Angle brackets not illustrated to ease understanding).

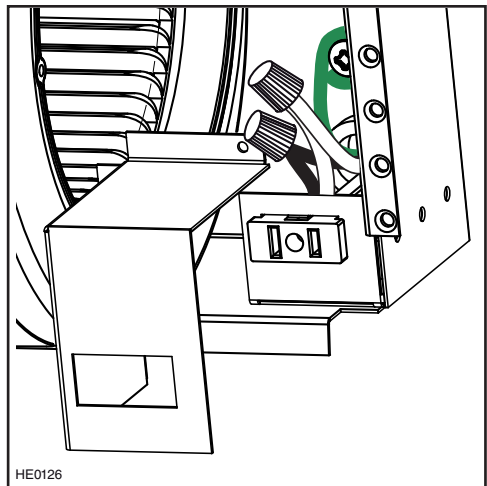


7. CONNECT WIRING (CONT'D)

3. Run house wiring through wire clamp and into blower box electrical box. Tighten wire clamp to secure house wiring cable to blower box.
4. Measure the required length of 8" round metal duct from the adapter/damper to the ductwork rough-in in the ceiling. Connect this section of duct to the adapter/damper, then connect to ceiling duct and seal both joints with metal foil duct tape.



5. Connect hood power cable to house wiring using provided wire connectors: BLACK to BLACK, WHITE to WHITE and GREEN or BARE wire to GREEN ground screw. **DO NOT FORGET TO CONNECT THE GROUND.**
6. Reinstall electrical box cover using both screws previously removed.



8. INSTALL GLASS PANELS (WG MODEL ONLY)

The WG hood model glass panels are sold separately and have to be installed before completing the hood installation.

For each glass panel:

1. Remove glass panel from its packaging.

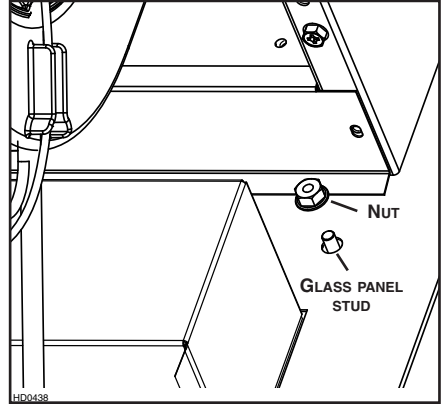
Remove glass panel nuts (factory installed) from both studs and set aside.

2. Insert glass panel studs in appropriate hood holes (some parts not illustrated to ease understanding).

NOTE: Install the glass panel with the control pictograms on the front of the hood.

3. While holding glass panel, pre-tighten previously removed nuts by hand. Ensure glass panel is centered.

Then, using a 3/8" socket, tighten nuts completely.



9. INSTALL HOOD

WARNING

BE CAREFUL when installing the decorative flue and hood, they may have sharp edges.

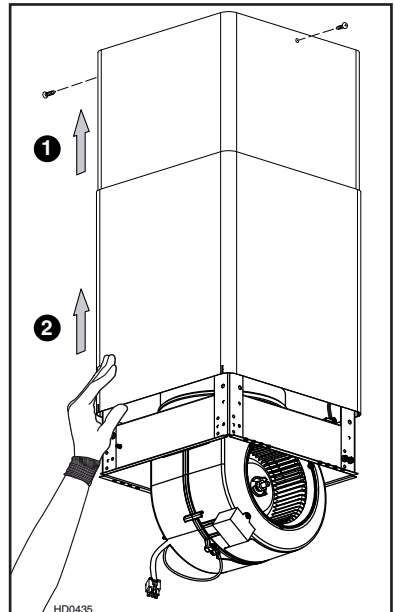
CAUTION

DO NOT REMOVE the protective plastic film covering the decorative flue (upper and lower) yet.

1. Slide the upper flue up to the ceiling and secure it to the ceiling mounting bracket using 2 no. 8 x 1/2" quadrex screws.

NOTE: Ensure upper and lower flue seams are aligned **1**.

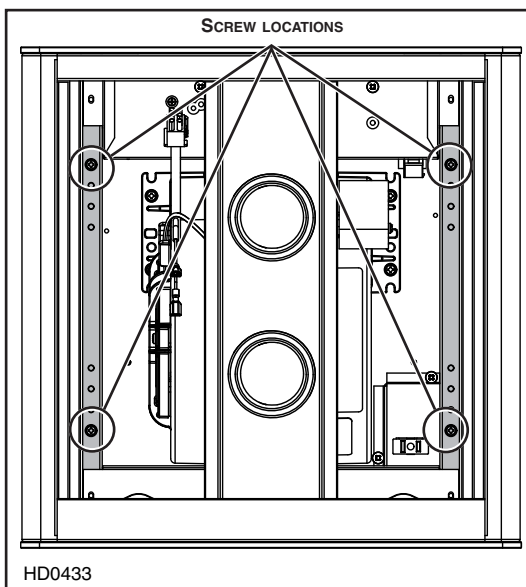
Carefully slide the lower flue over the upper flue up to the ceiling **2** while performing step 2.



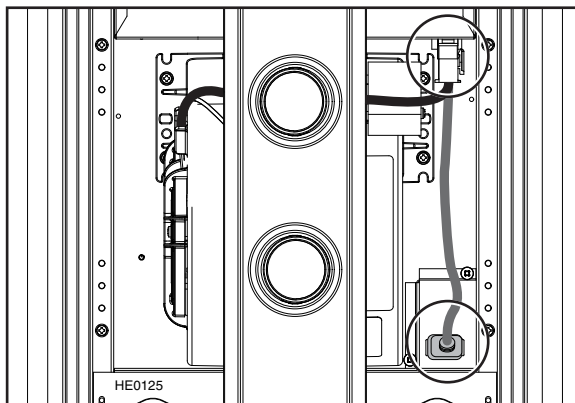
9. INSTALL HOOD (CONT'D)

- Slide hood over blower box and attach to blower box using the 4 screws previously removed from step 3.3 (some parts not illustrated to ease understanding).

NOTE: For more convenience, a total of 16 holes (4 holes per section) are available to secure the hood, but only 1 screw per section is necessary.



- Slide the lower flue down on top of the hood. Remove protective plastic film from flues.



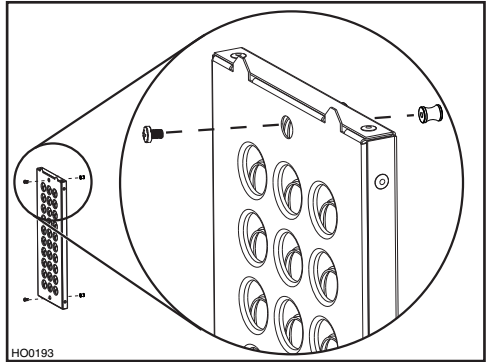
- Connect blower and power cord back.

10. REINSTALL BAFFLE FILTERS

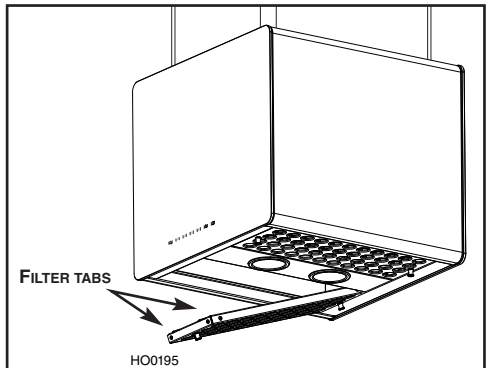
CAUTION

Remove protective plastic film covering filters before reinstalling them.

1. Using a Phillips no. 2 screwdriver, assemble two knobs to each filter. The screws MUST BE on filter tabs side. See illustration at right.



2. Rest rear filters edge on filter springs in the range hood. Using knob, tilt up the filters into position. Make sure filter tabs are securely engaged in range hood front edge after installation.



11. LIGHT BULBS

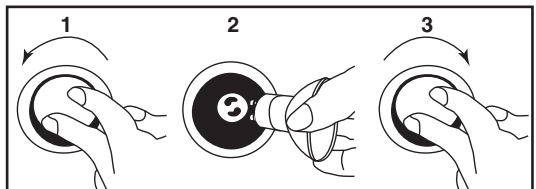
This range hood requires two 120 V, 50 W max., type MR16 with GU10 base, shielded halogen bulbs (included).

⚠ WARNING

Do not touch lamps during or soon after operation. Burns may occur. In order to prevent the risk of personal injury, only install shielded halogen lamps. Also, never install a cool beam, a dichroic lamp, a lamp not suitable for use in recessed luminaires or identified for use in enclosed fixtures.

To replace bulbs:

1. Gently push upward and turn counterclockwise to disengage bulb leads from their grooves.
2. Place the new bulb leads into their grooves in the socket.
3. Gently push upward and turn clockwise until secured.



NOTE: If need be, use a rubber dishwashing glove to add grip when removing the bulb.

12. CARE

WARNING

Before servicing or cleaning the unit, switch power off at service panel and lock service panel to prevent power from being switched on accidentally. When the service disconnecting means cannot be locked, securely fasten a prominent warning device, such as a tag, to the service panel.

BAFFLE FILTERS

Baffle filters should be cleaned monthly. Remove baffle filters by pushing them towards the back of hood and rotating downward. Use a warm detergent solution to clean the filters. Let them dry and reinstall them.

Baffle filters are dishwasher safe. Clean all-metal filters in the dishwasher using a non-phosphate detergent. Discoloration of the filter may occur if using phosphate detergent or as a result of local water conditions — but this will not affect filter performance. This discoloration is not covered by the warranty.

INTERIOR BLOWER

Remove the filters in order to access the blower. Vacuum blower to clean. Do not immerse in water.

STAINLESS STEEL

Do:

- Regularly wash with clean cloth or rag soaked with warm water and mild soap or liquid dish detergent.
- Always clean in the direction of original polish lines.
- Always rinse well with clear water (2 or 3 times) after cleaning. Wipe dry completely.
- You may also use a specialized household stainless steel cleaner.

Don't:

- Use any steel or stainless steel wool or any other scrapers to remove stubborn dirt.
- Use any harsh or abrasive cleansers.
- Allow dirt to accumulate.
- Let plaster dust or any other construction residues reach the hood. During construction/renovation, cover the hood to make sure no dust sticks to stainless steel surface.

GLASS PANEL

Hot water with mild soap or glass cleaner is all that is usually needed.

When using mild soap, rinse with clear water. Wipe dry with a clean, soft cloth to avoid water marks.

Avoid when choosing a detergent:

- Any cleaners that contain **bleach** will attack stainless steel.
- Any products containing: **chloride, fluoride, iodide, bromide** will deteriorate surfaces rapidly.
- Any combustible products used for cleaning such as **acetone, alcohol, ether, benzol**, etc., are highly explosive and should never be used close to a range.

13. OPERATION

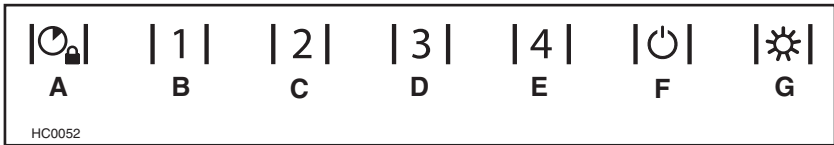
Always turn your blower on before you begin cooking to establish an air flow in the kitchen. Let the blower run for a few minutes to clear the air after you turn off the range.

CAUTION

After a power failure or during the range hood power up, a 5-second booting sequence is executed. Wait for the control backlighting to turn off before use.

NOTE: Due to the particular sensitivity of the control interface, keep the glass panel clean as dirt and condensation may cause erratic operation of the hood blower and/or lighting. If this situation occurs, wipe the glass panel and wait 90 seconds. Then, adjust the blower and/or lighting at your convenience.

13. OPERATION (CONT'D)



- A) Blower Delay/Control Lock button
- B) Blower low speed button
— LinkLogic® Erase Link button
- C) Blower medium-low speed button
— LinkLogic® Master Link Mode button
- D) Blower medium-high speed button
— LinkLogic® Auto Link Mode button
- E) Blower high speed button
— LinkLogic® Activate/Exit Link Mode button
- F) Master ON/OFF button
- G) Light/Backlighting Color button

A. DELAY BUTTON/CONTROL LOCK (DOUBLE FUNCTION BUTTON):

- i. When a blower speed is selected, press this button to activate the delay function. The delay button will light to its high intensity, then to its mid intensity to indicate this function is activated; the selected blower speed button will alternate every 2 seconds from its high intensity to its mid intensity. The blower will continue to operate for 5 minutes and will stop automatically. Selecting another speed while the delay function is activated will not deactivate the function or reset the timer. To cancel the delay function, press the delay button once again or the selected speed button which last case will also turn the blower off.
- ii. When blower is off, it is possible to lock the control interface in order to clean the glass panel.
To lock the control interface: Press and hold the button for 3 seconds. The button will light to its high intensity and flash three times, it will then stay on its mid intensity to indicate that the control interface is locked.
To unlock the control interface: Press and hold the button for 3 seconds. The button will light to its high intensity and flash 3 times, it will then fade out to its low intensity to indicate that the control interface is unlocked.

B-E. SPEED SELECTION BUTTONS:

Press the button corresponding to the desired blower speed (from **1** for low speed to **4** for high speed). The chosen speed button will light to its high intensity then fade to its mid intensity. To turn off the blower, press once more on the corresponding blower speed button; the button light will fade to its low intensity.

NOTE: When blower is off, pressing on blower speed **1** button will cause the blower to start on second speed for a very short lapse of time, and then resume on speed **1**.

F. MASTER ON/OFF:

When blower and lights are off, press this button to turn the hood on to the last memorized speed level and light intensity. If there are no memorized speed level and light intensity, speed will be set at level **1** and light intensity at **4**. To turn off the blower and the light simultaneously, press this button once.

HEAT SENTRY™: The hood is equipped with a HEAT SENTRY thermostat. When blower is ON at any speed and excessive heat is detected above the cooking surface, it sets the blower on third speed. The third speed button backlight will blink quickly to indicate that the Heat Sentry has been activated. When the temperature level drops to normal, the blower will return to its original setting.

NOTE: When Heat Sentry is activated, the communication coming from the LinkLogic device is disabled and the "DELAY OFF" function is inactivated.

⚠ WARNING

The Heat Sentry can take control of the blower when excessive heat is detected above the cooking surface. If this situation occurs and you must stop the blower, press on the third speed button or on the master ON/OFF button.

13. OPERATION (CONT'D)

G. LIGHT BUTTON/BACKLIGHTING COLOR (DOUBLE FUNCTION BUTTON):

i. This button allows four different lighting levels according to your needs. Press once for full intensity, twice for intensity level **3**, three times for intensity level **2** and once more for nightlight. To turn off the lights, press once more.

If desired, when the lights are on, press and maintain the light button for 1 second; lights will be turned off and the light level in use will be memorized.

NOTE: When only lights are ON to any intensity and no interaction with the hood is detected for a 10-second period, the 7 buttons backlighting will fade to its low intensity, acting as a night light feature.

ii. When lights are off, pressing and holding this button for 2 seconds will switch the backlighting color from white to blue or from blue to white (default backlighting color is white) and memorize it. The button will flash three times to indicate that the color change has been made.

LINKLOGIC® NETWORK COMPATIBILITY

Your CIC700116 Series range hood can be linked to LinkLogic network, if installed in your house.

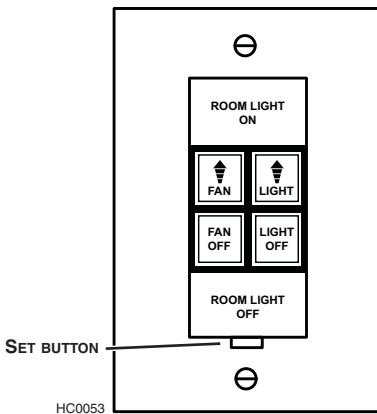
LINKLOGIC® LINKING INSTRUCTIONS

1. INITIALIZE THE LINKLOGIC DEVICE TO BE LINKED

Lift and release the *Set* button tab, then push it for 3 seconds or until “beep” is heard. When the tab is released the remote control, confirms initialization by turning ON the backlight of the “Room Light ON and Off” button. Press the “Room Light OFF” button to stop the flashing. Initialization of the remote control is now completed.

2. ACTIVATE THE LINK MODE OF THE RANGE HOOD

Push and hold button **E** for 3 seconds. After the 3-second hold, button **E** backlight blinks 3 times quickly (low to high intensity) and then all 4 speed levels backlight start to oscillate between mid and low intensity.



LINK FOR LINKLOGIC™
MODEL NO. ACW1WH

ACTIVATE THE *LINK* MODE
OF THE LINKLOGIC® DEVICE
Push the *Light Off* button of the
LinkLogic device for 10 seconds or
until its backlight flashes
("beep" should also be heard).

START THE *AUTO-LINK* PROCESS
OF THE RANGE HOOD
Press and release button **D** to start
the Auto-link process, all 4 speed
level backlights flash in rotation.

LINK OF ANOTHER LINKLOGIC® DEVICE
Go back to the appropriate first step if
another LinkLogic device
needs to be linked.
Otherwise, to exit *Link* mode, go to:
Exit the *Link* mode of the range hood

3. EXIT THE LINK MODE OF THE RANGE HOOD

Press and hold button **E** for 3 seconds. After the 3-second hold, button **E** backlight blinks 3 times quickly (low to high intensity) and it exits the *Link* mode. *Link* mode remains activated for 4 minutes if no other operation is done.

13. OPERATION (CONT'D)

ERASE LINK PROCESS

1. ACTIVATE THE *LINK* MODE OF THE RANGE HOOD

Push and hold button **E** for 3 seconds. After the 3-second hold, button **E** backlight blinks 3 times quickly (low to high intensity) and then all 4 speed levels backlights start to oscillate between mid and low.

2. ERASE ALL LINKED LINKLOGIC DEVICES

Push and hold button **B** for 3 seconds to start the "Erase-link" process, all 4 speed levels backlights flash in rotation until links are erased (not visible when small number of linked devices).

3. EXIT THE *LINK* MODE OF THE RANGE HOOD

Press and hold button **E** for 3 seconds. After the 3-second hold, button **E** backlight blinks 3 times quickly (low to high intensity) and it exits the *Link* mode. *Link* mode remains activated for 4 minutes if no other operation is done.

14. WARRANTY

VENMAR VENTILATION FIVE-YEAR WARRANTY

Venmar Ventilation Inc. warrants to the original consumer purchaser of the Venmar Connaisseur CIC700 Series range hood that such product will be free from defects in materials or workmanship for a period of five (5) years from date of original purchase. This warranty includes in-home service for the first year and workshop service for the four (4) remaining years.

THERE ARE NO OTHER WARRANTIES, EXPRESS OR IMPLIED, INCLUDING, BUT NOT LIMITED TO, IMPLIED WARRANTIES OF MERCHANTABILITY OR FITNESS FOR A PARTICULAR PURPOSE. VENMAR VENTILATION INC. WILL NOT BE HELD RESPONSIBLE FOR ANY CLAIMS OVER THE ORIGINAL PURCHASE PRICE OF A VENMAR CONNAISSEUR CIC700 SERIES RANGE HOOD NOR HELD RESPONSIBLE FOR SUBSEQUENT DAMAGE OR INCIDENT.

During the period stated above, Venmar Ventilation Inc. will, at its option, repair or replace without charge any product or part which is found to be defective under normal use and service. THIS WARRANTY DOES NOT EXTEND TO ANY LIGHT BULBS AND FILTERS.

This warranty does not cover a) normal maintenance and service b) any products or parts which have been subject to misuse, negligence, accident, improper maintenance or repairs made by other than Venmar Ventilation Inc., or c) a faulty installation or installation contrary to recommended installation instructions.

Warranty service is to be completed by an authorized Service Center designated by Venmar Ventilation Inc. Where applicable, in-home service will be made available only in areas where a contracted service provider offers service. If in-home service is not available, the product will be repaired or replaced, at Venmar's discretion, by the nearest authorized service provider. The unit removal and reinstallation works are under the customer responsibility, and Venmar cannot be charged for them.

The duration of any implied warranty is limited to the 5-year period as specified for the express warranty. Some provinces do not allow limitation on how long an implied warranty lasts, so the above limitation may not apply to you.

VENMAR VENTILATION INC'S OBLIGATION TO REPAIR OR REPLACE AT VENMAR VENTILATION INC'S OPTION, SHALL BE THE PURCHASER'S SOLE AND EXCLUSIVE REMEDY UNDER THIS WARRANTY. VENMAR VENTILATION INC SHALL NOT BE LIABLE FOR INCIDENTAL, CONSEQUENTIAL OR SPECIAL DAMAGES ARISING OUT OF OR IN CONNECTION WITH PRODUCT USE OR PERFORMANCE. SOME PROVINCES DO NOT ALLOW THE EXCLUSION OR LIMITATION OF INCIDENTAL OR CONSEQUENTIAL DAMAGES, SO THE ABOVE LIMITATION OR EXCLUSION MAY NOT APPLY TO YOU.

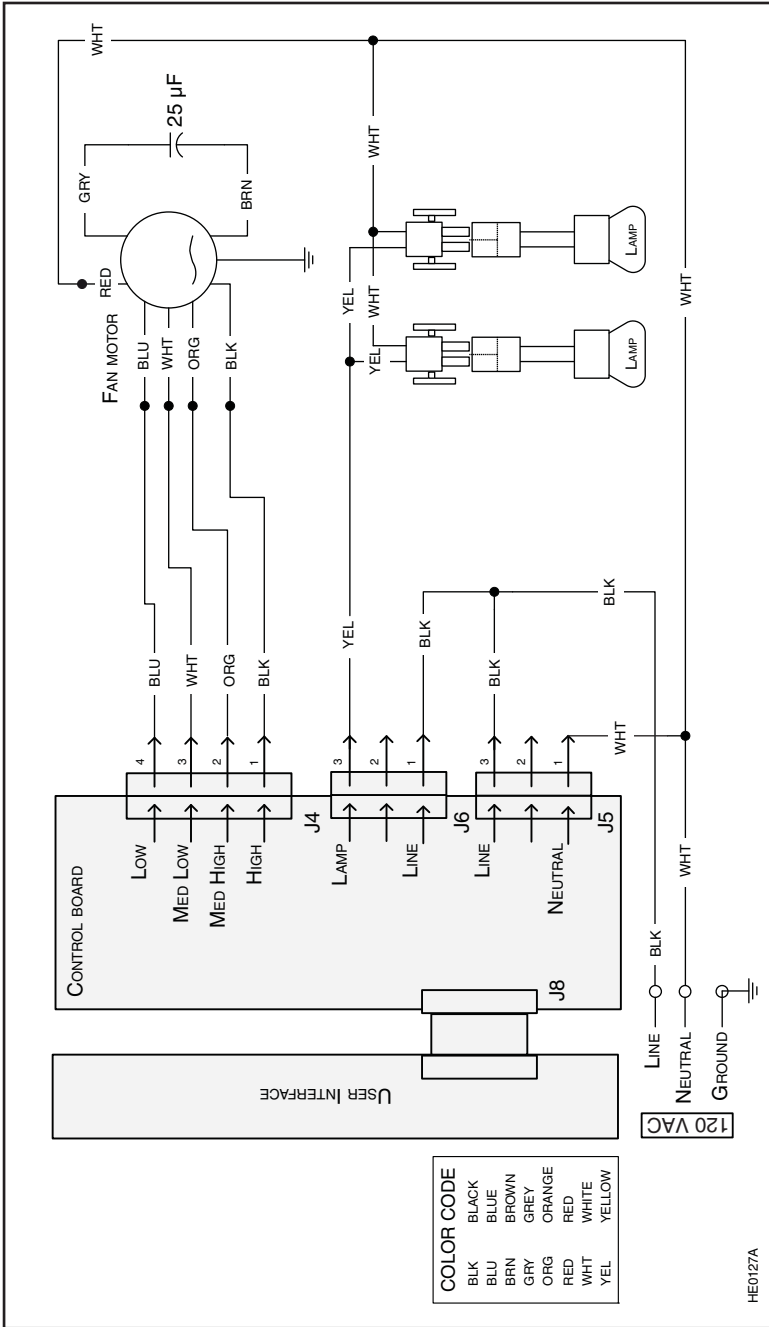
This warranty gives you specific legal rights and you may also have other rights, which vary from province to another. This warranty supersedes all prior warranties.

To contact Venmar Ventilation Inc. warranty service call 1-800-567-3855 in Canada. In order to qualify for a warranty claim, the owner of a Venmar Connaisseur CIC700 Series range hood must have the model and serial number along with a proof of the original purchase date. At the time of requesting service, describe the nature of any defect in the product or part.

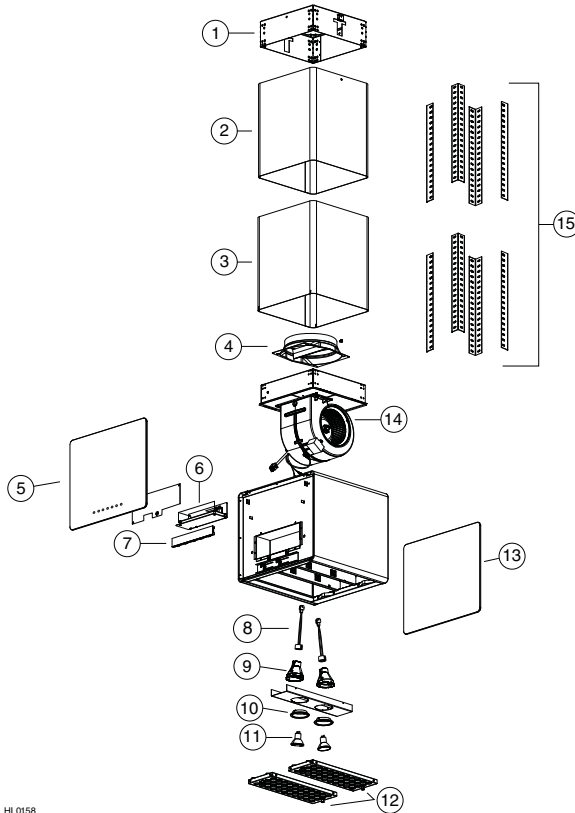
Venmar Ventilation Inc., 550 Lemire Blvd., Drummondville, QC J2C 7W9 (1-800-567-3855)

www.venmar.ca www.ispira.ca

15. WIRING DIAGRAM



16. SERVICE PARTS



HL0158

KEY NO.	PART NO.	DESCRIPTION	QTY.
1	SV19232	CEILING MOUNTING BRACKET	1
2	SV19240	UPPER DECORATIVE FLUE	1
3	SV19239	LOWER DECORATIVE FLUE	1
4	SV08543	8" ROUND ADAPTER/DAMPER	1
5	SV09958xx**	FRONT GLASS PANEL WITH CONTROL PICTOGRAM	1
6	SV09552	POWER UNIT	1
7	SV09550	ELECTRONIC CONTROL	1
8	SV05917	SOCKET	2
9	SV09435	SOCKET HOLDER	2
10	SV09434	LIGHT TRIM	2
11	SV05921	SHIELDED HALOGEN BULB (120 V, 50 W, GU10)	2
12	SV19249	BAFFLE FILTERS 13.56" x 5.06" x 0.625" (KNOBS AND SCREWS INCLUDED)	2
13	SV09959xx**	BACK GLASS PANEL WITHOUT CONTROL PICTOGRAM	1
14	SV08582	INTERNAL BLOWER (INCLUDING CAPACITOR)	1
15	SV19253	ANGLE BRACKETS (SET OF 8)	1
*	SV08967	KNOBS AND SCREWS KIT (2 KNOBS AND SCREWS PER KIT)	2
*	SV09865	INSTALLATION GUIDE	1
*	SV09871	PARTS BAG: 2 WIRE CONNECTORS, 1 WIRE CLAMP, 8 WASHERS, 8 X NO. 10 X 1/2" WOOD SCREWS, 2 X NO. 8 X 1/2" QUADREX SCREWS, 10 X NO. 8 X 3/8" QUADREX SCREWS, 17 X NO. 10-32 LOCKNUTS, 50 X NO. 10-32 X 1/2" QUADREX SCREWS	1

*NOT SHOWN.

**PART NUMBER ACCORDING TO GLASS PANEL COLOR.

REPLACEMENT PARTS AND REPAIRS

In order to ensure your unit remains in good working condition, you must use Venmar Ventilation Inc. genuine replacement parts only. Venmar Ventilation Inc. genuine replacement parts are specially designed for each unit and are manufactured to comply with all the applicable certification standards and maintain a high standard of safety. Any third party replacement part used may cause serious damage and drastically reduce the performance level of your unit, which will result in premature failing. Venmar Ventilation Inc. recommends to contact a certified service depot for all replacement parts and repairs.