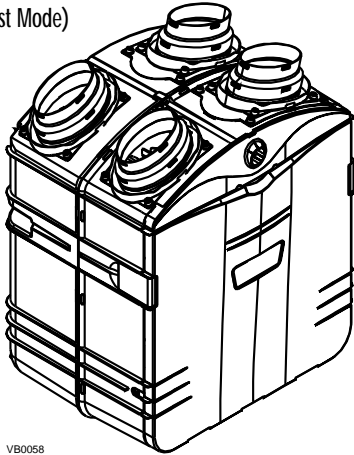


# HEAT RECOVERY VENTILATOR WITH MERV\*\* 8 FILTRATION

## MODEL: THSF 104\*

### Part #44994

50 cfm (low speed)  
to 104 cfm (Boost Mode)



VB0058

### HRV WITH MERV\*\* 8 FILTRATION

The new THSF 104\* unit is much more than a regular heat recovery ventilator. In fact, more than preheating air from outside before circulating it throughout the home, this unit is equipped with a washable MERV\*\* 8 filter, which traps airborne allergens such as pollen, dust, mold, etc.

- Simple and easy installation to furnace ducting or stand alone option
- The unit has ports on top, which fit both 5" or 6" round ducts
- Cabinet integrated handles
- Only one outdoor connection (with the Tandem® transition)
- A total of 104 cfm of fresh filtered air
- For houses up to 20,000 cu. ft. of liveable space
- Ideal for town houses, small houses, etc.
- Optional HEPA filter available
- Optional wall control available
- Recirculation mode available (with the optional wall control)

Why are we offering MERV\* 8 filtration in our units? Because this is an efficient way to trap airborne allergens in your home. In fact, this filter catches 85% of all particles as small as 10 microns (and above). As part of a reference, human hair is as small as 150 microns, we can say the THSF 104\* will provide your home fresh healthy air and reduce ventilation costs.

\*\*MERV: Minimum Efficiency Reporting Value.

Available at:

### Control

The THSF 104\* unit is very simple to operate: once it is installed, simply turn the switch (located on the front panel) to the desired speed (Off, Normal or Boost).

If desired, you can use the optional wall control. This control offers 3 operating modes: Normal, Boost and Recirculation. Also, it is equipped with a convenient filter maintenance indicator, reminding you when it is time to clean your filters.

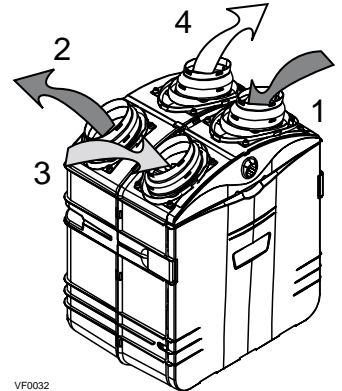
- Control #05536 (for vanEE unit)
- Control #04391 (for Venmar unit)



VC0055

### Ventilation and MERV\*\* 8 Filtration

1. Stale air from the house is drawn to the unit, and transfers its heat to the fresh incoming air.
2. The stale air is exhausted to the outside.
3. Fresh air from outside goes through the washable MERV\*\* 8 foam filter which catches 85% of particles of 10 microns and above.
4. Fresh filtered air is distributed throughout the house.



VF0032

### Airborne particles trapped

- Pollen
- Fungus spores
- Mold spores
- Bacteria
- Dust mite debris
- Pet danders
- Dust,
- Etc.

### Maintenance

Furthermore to its easy installation, the THSF 104\* is maintenance troublefree. Once the front door is open, you directly access the heat recovery module. Slide out this module to access the washable MERV\*\* 8 foam filter. This filter should be washed every 6 months.

The heat recovery module should be washed once a year.

No tools are required to perform the maintenance. Also, the motor is factory lubricated; there is no need to oil the motor.

### Requirements and Standards

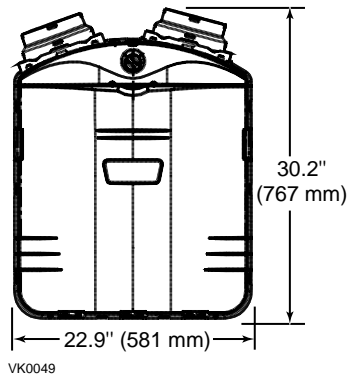
- Complies with CSA C22.2 No. 113-M1984
- Complies with UL 1812

### Warranty

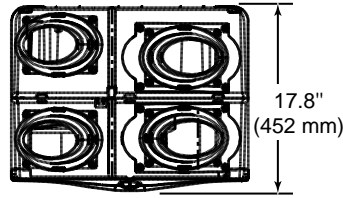
All THSF 104\* units are fully protected by a 2-year warranty on all parts only, except for core filters and foam filter.

\* Patent pending

## Dimensions and Clearances: THSF 104 unit



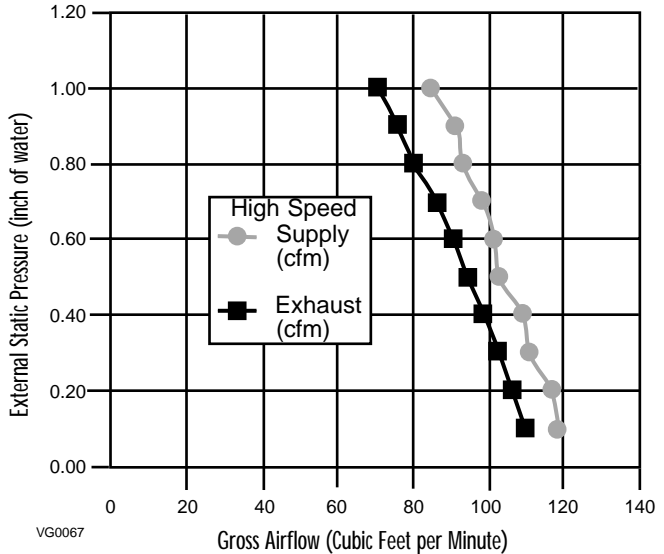
FRONT VIEW



TOP VIEW

## Ventilation Performance

EXT. STATIC PRESSURE		NET SUPPLY AIR FLOW			GROSS AIR FLOW					
Pa	in.w.g.	l/s	cfm	m <sup>3</sup> /h	SUPPLY			EXHAUST		
					l/s	cfm	m <sup>3</sup> /h	l/s	cfm	m <sup>3</sup> /h
25	.1	53	114	191	56	119	202	52	110	187
50	.2	53	112	190	55	117	198	50	106	180
75	.3	50	106	180	52	111	187	48	103	173
100	.4	49	104	176	51	109	184	46	99	166
125	.5	46	99	166	49	103	177	45	95	162
150	.6	45	96	162	48	101	173	43	91	155
175	.7	44	93	158	46	98	166	41	87	148
200	.8	42	88	151	44	93	158	38	80	137
225	.9	41	87	148	43	91	155	36	76	130
250	1.00	38	81	137	40	85	144	33	71	119



## Energy Performance

SUPPLY TEMPERATURE		NET AIR FLOW			POWER CONSUMED WATTS	SENSIBLE RECOVERY EFFICIENCY	APPARENT SENSIBLE EFFECTIVENESS	NET MOISTURE TRANSFER
C°	F°	l/s	cfm	m <sup>3</sup> /h				
HEATING								
0	+32	24	52	87	116	63	85	0.02
0	+32	35	74	126	147	59	75	0.05
0	+32	44	94	158	189	57	75	0.01
-25	-13	16	35	59	114	58	95	0.01
COOLING								
+35	+95	---	---	---				
+35	+95	---	---	---				
					TOTAL RECOVERY EFFICIENCY			
					Not tested			



## Specifications and ratings

- Model: THFS 104
- Part number: #44994
- Total Assembled Weight: 41.2 lbs (18.7 kg)
- Duct Collars: oval shaped, fits 5" or 6" round ducts
- Cabinet: Rugged plastic
- Mounting: Suspension by chains and springs
- Filtration: One washable foam filter MERV 8, captures 85% of particles @ 10 microns and above
- Motor and blower : 3300 RPM, 104 cfm
- Unit Electrical Characteristics:
  - Voltage: 120 volts AC
  - Power: 192 Watts
  - Current: 1.6 Amps.
  - Frequency: 60 Hz

NOTE: All specifications are subjected to change without notice.

Submitted by:		Date :	Project:
Qty:	Model #:	Remarks:	Location:
			Architect:
			Engineer:
			Contractor:

